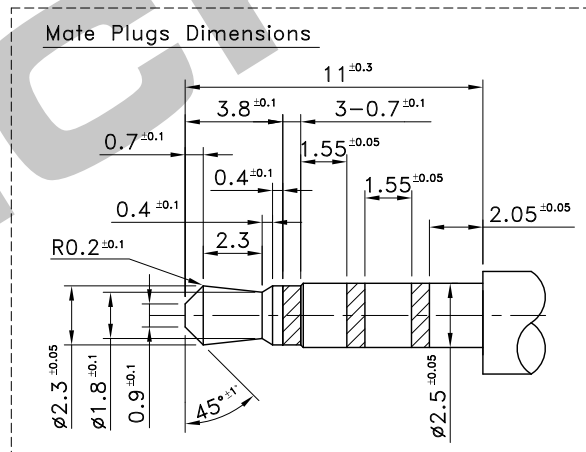
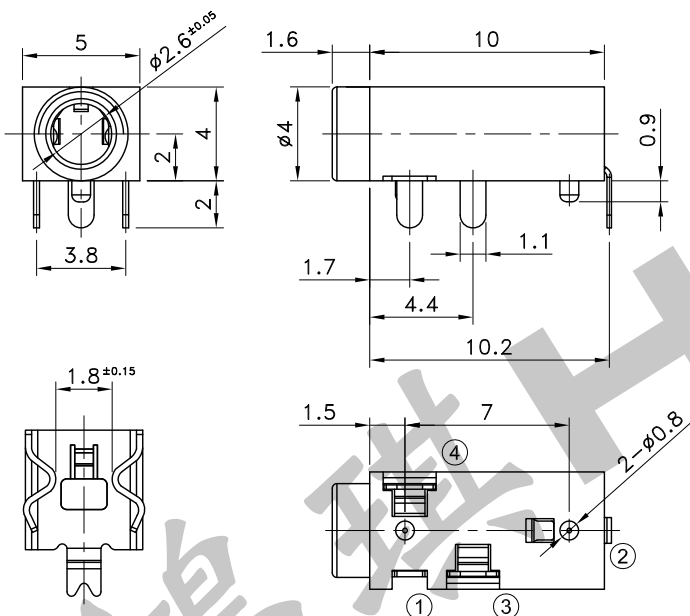
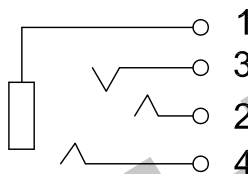
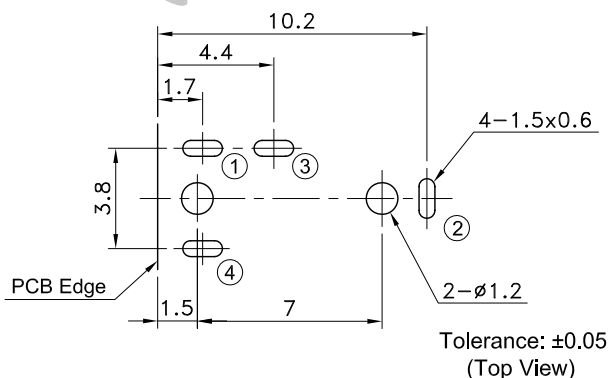


5	Ring Contact (Terminal 3)	t0.2	Copper Alloy	Gold Plated	
4	GND Contact (Terminal 1)	t0.2	Copper Alloy	Gold Plated	
3	Tip Contact (Terminal 2)	t0.2	Copper Alloy	Gold Plated	
2	R2 Contact (Terminal 4)	t0.2	Copper Alloy	Gold Plated	
1	Housing	PA10T			UL 94V-0, Black
No.	Parts	Material	Finish	Remarks	



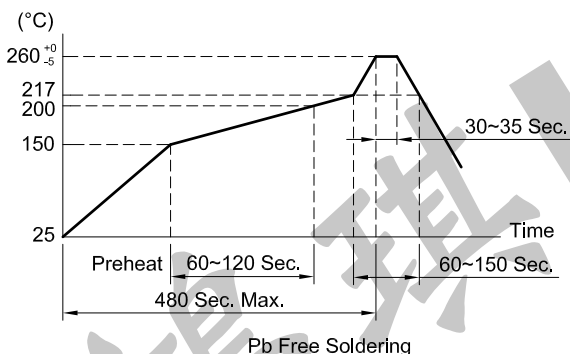
P.C.B TERMINAL POSITION

CIRCUIT ARRANGEMENT



SOLDERING CONDITIONS

SPECIFICATIONS



1. Rating : DC 30V 0.5A
2. Contact Resistance : 50mΩ Max.
3. Insulation Resistance : 100MΩ Min. at DC 500V
4. Dielectric Strength : AC 500V for 1 Minute
5. Insertion & Extraction Force : 0.3~3kgf
6. Life : 5,000 Cycles
7. Package : 250 Pcs/Tray
8. Operating Temperature Range : -25~+85°C
9. Auto soldering : Solder Temperature 260±5°C
Solder Time 10±2 Sec.

REVISION:	DATE:	REVISION:	DATE:
UNIT:mm	THIRD ANGLE PROJECTION METHOD	TOL. UNLESS OTHERWISE STATED:±0.3	CODE NO.:HCH-2529-2
ISSUED	CONFIRMED	PART NO.	
John	Elvis	PJK-323-GB	
2023.10.11	2023.10.11	HCH HORNG CHIH ISO9001 Certified ISO14001 Certified 鴻琪股份有限公司	