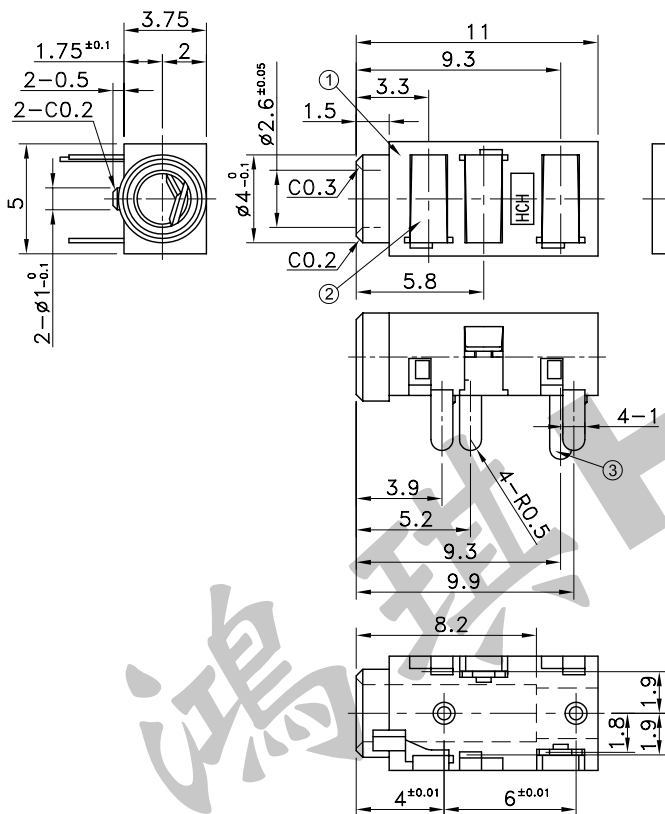
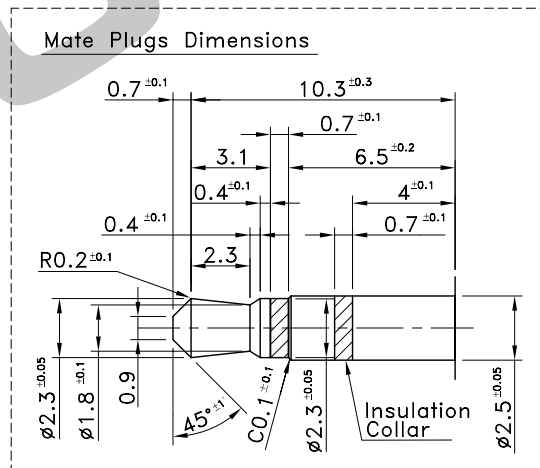


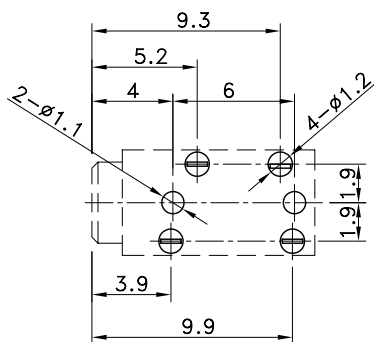
③	Fixed A	t:0.2 C2680	1	MBAu
②	Spring A	t:0.2 C5210-EH	3	MBAu
①	Body	Denatured PA 6T GF 30%	1	Black, CH230N(Allene)
No.	Parts	Material	Q'ty	Remarks



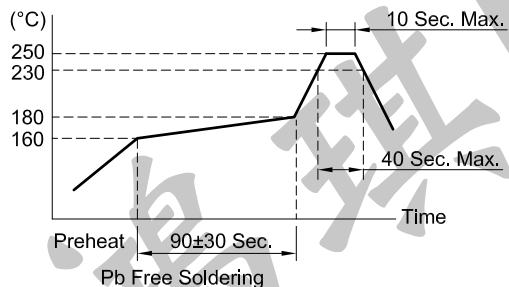
P.C.B TERMINAL POSITION



CIRCUIT ARRANGEMENT



SOLDERING CONDITIONS



Part No.	Circuit Diagram	Terminal Arrangement Figure
PJK-320		
PJK-321		

* The terminal is body fix terminal, can not connect with pattern.

SPECIFICATIONS

- | | |
|---------------------------------|---|
| 1. Rating | : DC 12V 1A |
| 2. Contact Resistance | : Between Plug and Contact
Terminals 50mΩ Max.
Between Make and Break
Contacts 30mΩ Max. |
| 3. Insulation Resistance | : 100MΩ Min. at DC 100V |
| 4. Dielectric Strength | : AC 500V for 1 Minute |
| 5. Insertion & Extraction Force | : 0.3~3kgf |
| 6. Life | : 5,000 Cycles |
| 7. Package | : 120 Pcs/Stick |

REVISION:		DATE:		REVISION:		DATE:	
UNIT:mm		THIRD ANGLE PROJECTION METHOD		TOL. UNLESS OTHERWISE STATED:±0.3		CODE NO.:HCH-902-4	
ISSUED		CONFIRMED		PART NO.		PJK-320 PJK-321	
John		Joey		HCH® ISO9001 Certified ISO14001 Certified		HORNG CHIH 鴻琪股份有限公司	
2006.08.14		2006.08.14					