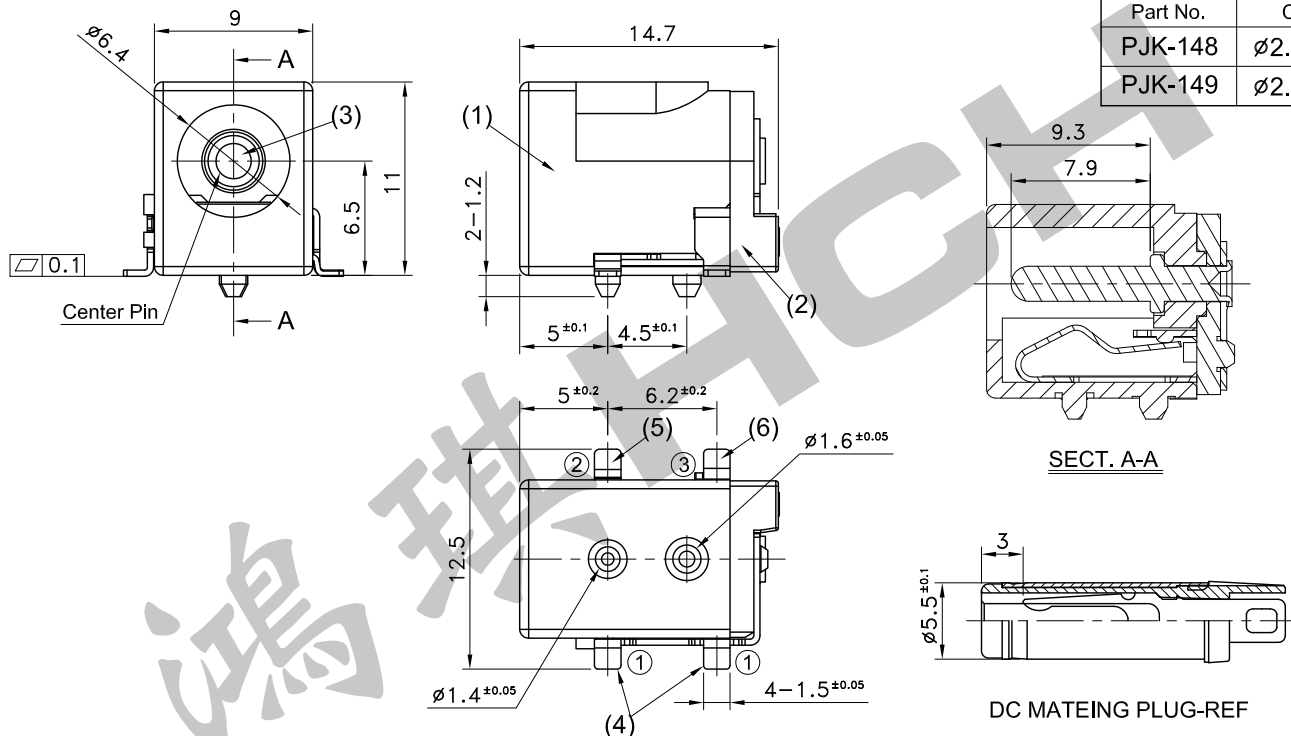


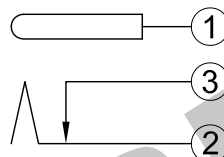
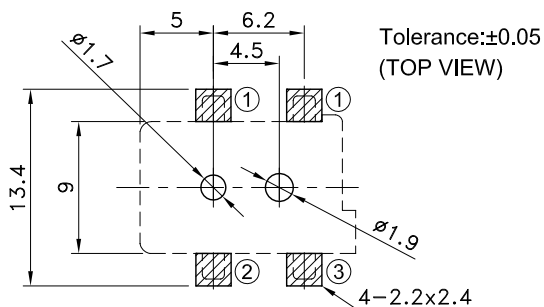
(6)	Shunt Terminal	t0.4 Copper Alloy	1	Ag Plated	
(5)	Tip Spring	t0.3 Copper Alloy	1	Ag Plated	
(4)	Center Pin Terminal	t0.4 Copper Alloy	1	Ag Plated	
(3)	Center Pin	Copper Alloy	1	Ni Plated	
(2)	Cover	High Temp Plastic	1		UL94V-0, Black
(1)	Housing	High Temp Plastic	1		UL94V-0, Black
No.	Parts	Material	Q'ty	Finish	Remarks

Part No.	Center Pin
PJK-148	ø2.0 <sup>+0</sup> <sub>-0.1</sub> mm
PJK-149	ø2.5 <sup>+0</sup> <sub>-0.1</sub> mm



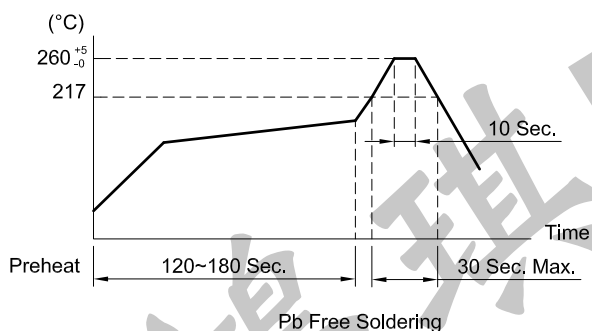
### P.C.B TERMINAL POSITION

### CIRCUIT ARRANGEMENT



### SOLDERING CONDITIONS

### SPECIFICATIONS



1. Rating : DC 20V 5A
2. Contact Resistance : 30mΩ Max.(Initial)  
60mΩ Max.(Final)
3. Insulation Resistance : 100MΩ Min. at DC 500V
4. Dielectric Strength : AC 500V for 1 Minute
5. Insertion & Extraction Force : 0.3~3 kgf
6. Life : 5,000 Cycles
7. Package : 350 Pcs/Reel
8. Operating Temperature Range : -25~+85°C

REVISION:	DATE:	REVISION:	DATE:
UNIT:mm	THIRD ANGLE PROJECTION METHOD	TOL. UNLESS OTHERWISE STATED:±0.3	CODE NO.:HCH-2613
ISSUED	CONFIRMED	PART NO.	
<i>John</i>	<i>Elvis</i>	PJK-148	
2025.12.24	2025.12.24	PJK-149	
		<b>HORNG CHIH</b> 鴻琪股份有限公司	