

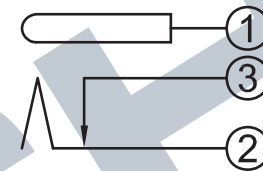
# DC POWER JACKS

## PJK-146 CENTER PIN : $\phi 0.65$

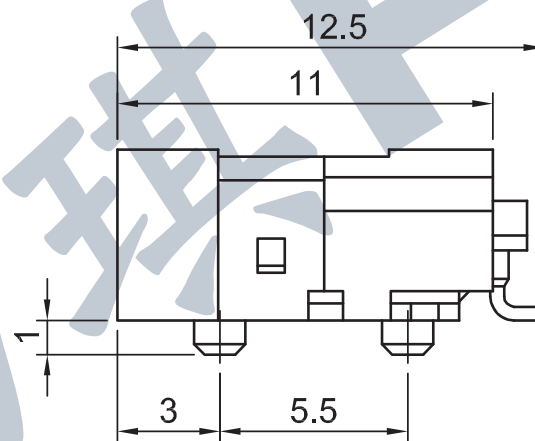
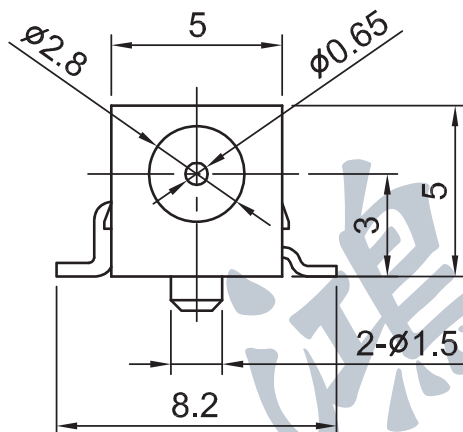
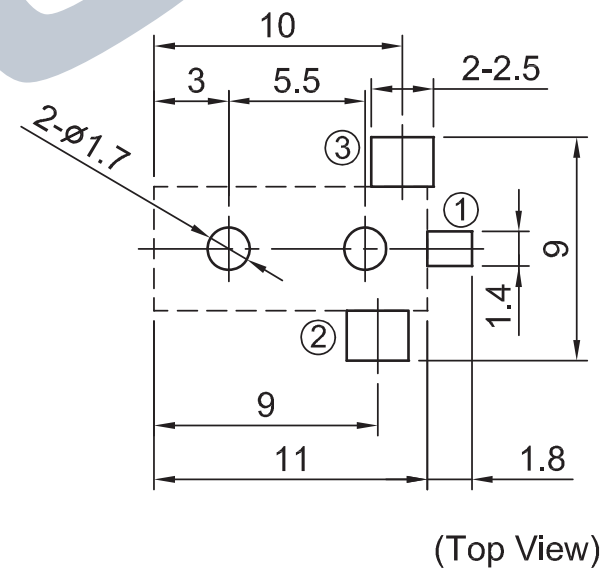
- Rating: DC30V 1A
- Force: 0.3~3.0kgf
- Life: 5,000 Cycles



### Circuit



### Pad Layout



TAPING PACKAGE: 800 PCS/REEL