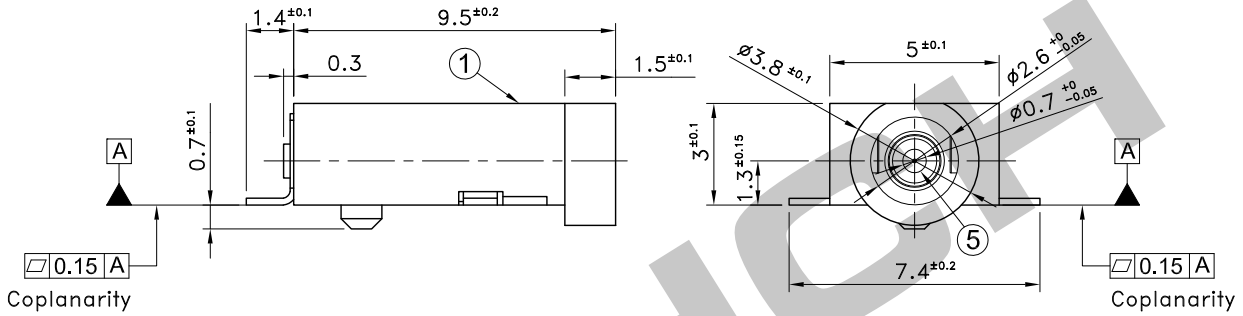
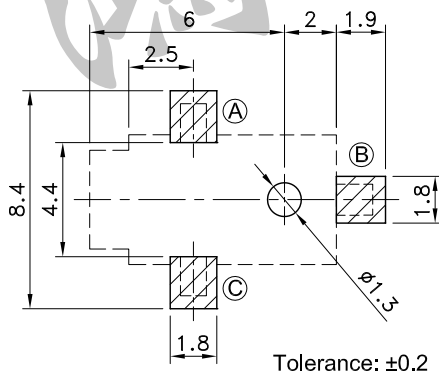


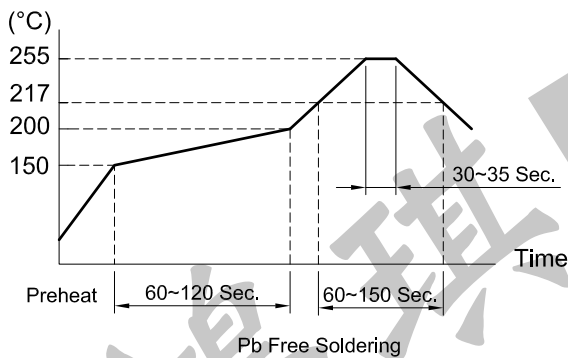
5	Pin Contact	Copper Alloy	1	Ag
4	Rivet Lead	Copper Alloy	1	Ag
3	SPG Contact	Copper Alloy	1	Ag
2	SPG Contact	Copper Alloy	1	Ag
1	Housing	High Temp Plastic	1	
No.	Parts	Material	Q'ty	Finish



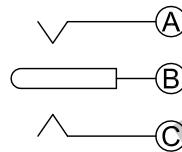
P.C.B TERMINAL POSITION



SOLDERING CONDITIONS



CIRCUIT ARRANGEMENT



SPECIFICATIONS

- Rating : DC 18V 2A
- Contact Resistance : [Plug to Contacts] 50mΩ Max.
[Contacts to Shunt] 30mΩ Max.
- Insulation Resistance : 100MΩ Min. at DC 500V
- Dielectric Strength : AC 500V for 1 Minute
- Insertion Force : 0.4~2.0kgf
- Extraction Force : 0.4~2.0kgf
- Life : 1,500 Cycles
- Package : 1,500 Pcs/Reel
- Operating Temperature Range : -30~+85°C
- Storage Temperature Range : -40~+90°C

REVISION:		DATE:		REVISION:		DATE:	
UNIT:mm		THIRD ANGLE PROJECTION METHOD		TOL. UNLESS OTHERWISE STATED:±0.3		CODE NO.:HCH-1862-1	
ISSUED		CONFIRMED		PART NO.		PJK-137	
John		Elvis		HCH® ISO9001 Certified ISO14001 Certified		HORNG CHIH 鴻琪股份有限公司	
2013.04.15		2013.04.15					