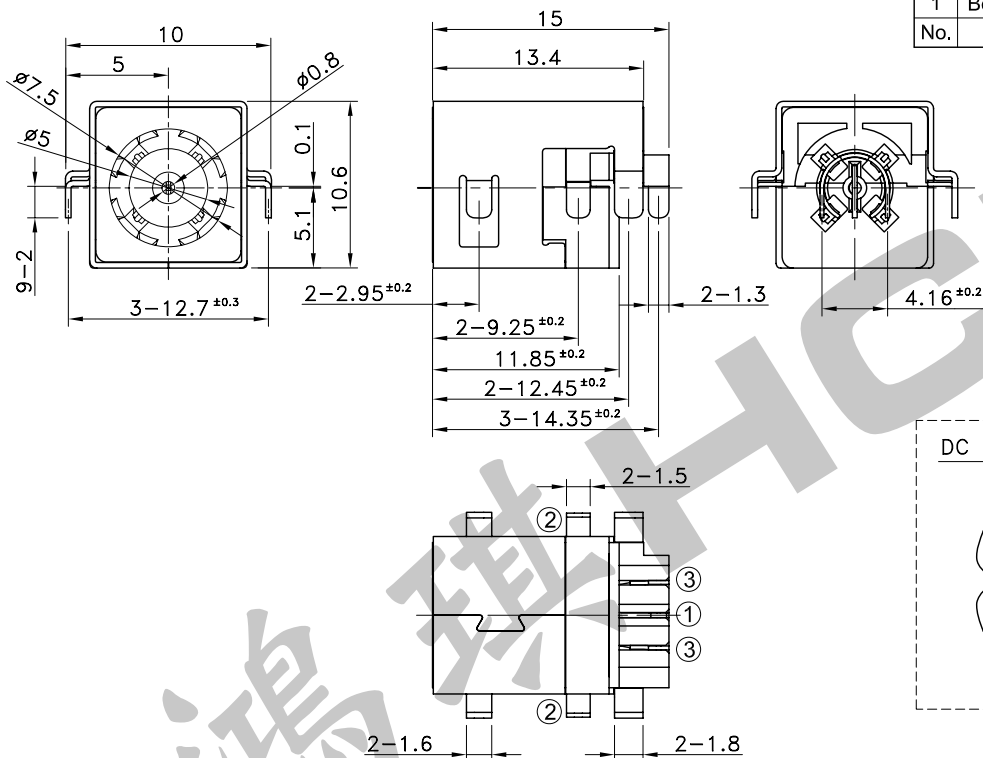
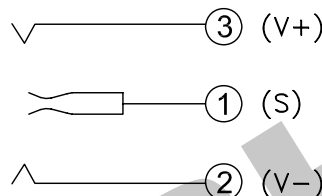
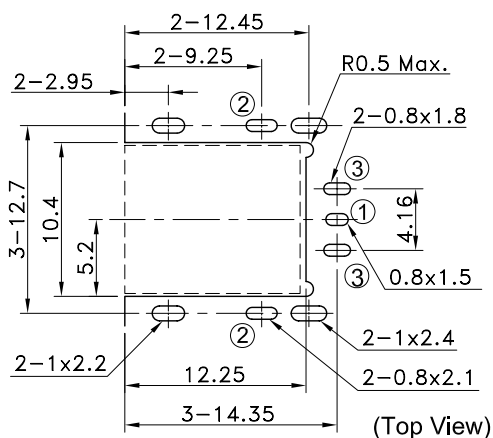


5	Shield	Brass	Nickel Plated
4	Terminal 3	Copper Alloy	Gold Flash
3	Terminal 2	Copper Alloy	Gold Flash
2	Terminal 1	Copper Alloy	Gold Flash
1	Body	PA	
No.	Parts	Material	Finish



P.C.B TERMINAL POSITION

CIRCUIT ARRANGEMENT



SOLDERING CONDITIONS

	Temperature (°C)	Time (Sec.)
Auto Soldering	260±5	5±0.5

SPECIFICATIONS

- Rating : DC 42V 8A Max. (Power Pin)  
DC 42V 1A Max. (Signal Pin)
- Contact Resistance : 50mΩ Max.
- Insulation Resistance : 100MΩ Min. at DC 500V
- Dielectric Strength : AC 500V for 1 Minute
- Insertion & Extraction Force : 0.3~3kgf
- Life : 5,000 Cycles
- Operating Temperature Range : -25~+85°C

REVISION:	DATE:	REVISION:	DATE:
UNIT:mm	THIRD ANGLE PROJECTION METHOD	TOL. UNLESS OTHERWISE STATED:±0.2	CODE NO.:HCH-1784
ISSUED	CONFIRMED	PART NO.	
John	Elvis	PJK-133	
2011.11.04	2011.11.04	<b>HCH</b> <sup>®</sup> HORNG CHIH ISO9001 Certified ISO14001 Certified 鴻琪股份有限公司	