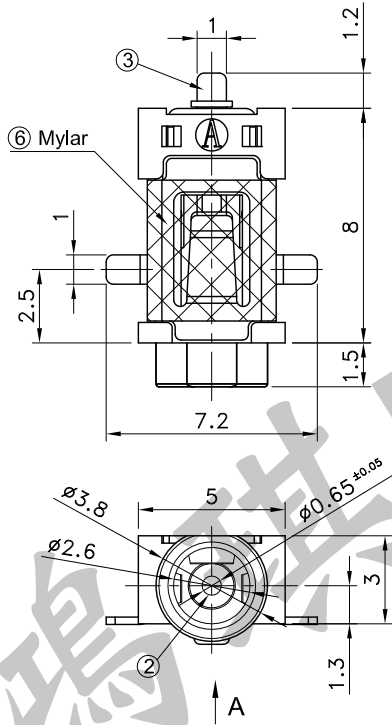
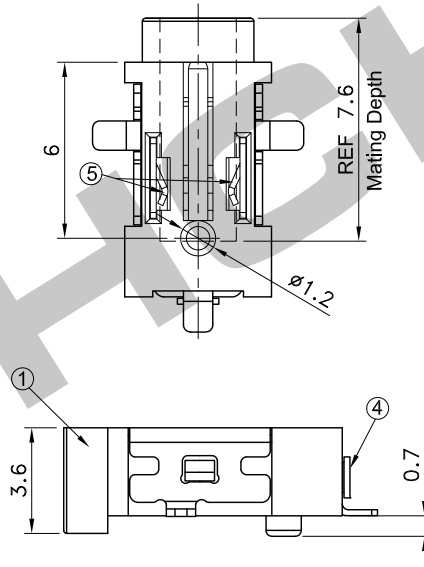


6	Mylar	t:0.05	Polyimide			
5	Spring	t:0.2	Stainless Steel	1	N / A	
4	Tip Spring	t:0.2	Copper Alloy	2	Ag	
3	Center Pin Terminal	t:0.2	Copper Alloy	1	Ag	
2	Center Pin	∅0.65	Copper Alloy	1	Ag	
1	Housing		High Temp Plastic	1		UL94V-0, Black
No.	Parts		Material	Q'ty	Finish	Remarks

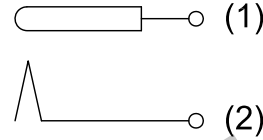
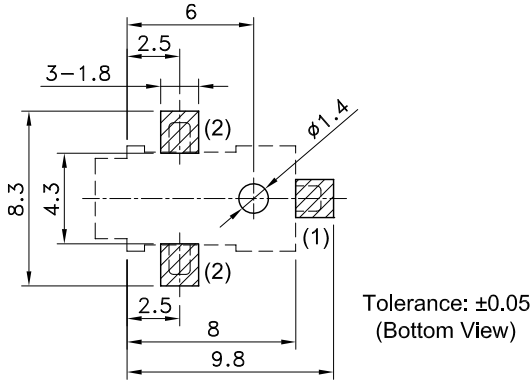


VIEW A



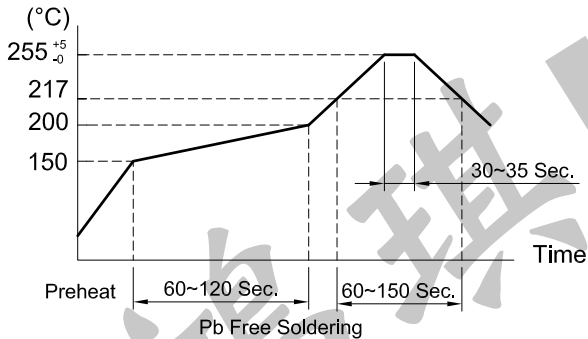
P.C.B TERMINAL POSITION

CIRCUIT ARRANGEMENT



SOLDERING CONDITIONS

SPECIFICATIONS



1. Rating : DC 6V 2A
2. Contact Resistance : 50mΩ Max.
3. Insulation Resistance : 100MΩ Min. at DC 500V
4. Dielectric Strength : AC 500V for 1 Minute
5. Insertion Force : 0.3~3.0kgf
6. Extraction Force : 0.3~3.0kgf
7. Life : 5,000 Cycles
8. Package : 1,200 Pcs/Reel
9. Operating Temperature Range : -25~+85°C

REVISION:	DATE:	REVISION:	DATE:
UNIT:mm	THIRD ANGLE PROJECTION METHOD	TOL. UNLESS OTHERWISE STATED:±0.3	CODE NO.:HCH-2532-1
ISSUED	CONFIRMED	PART NO.	
<i>John</i>	<i>Elvis</i>	HORNG CHIH	
2023.09.08	2023.09.08	HONG CHIH 鴻琪股份有限公司	
		PJK-125A	