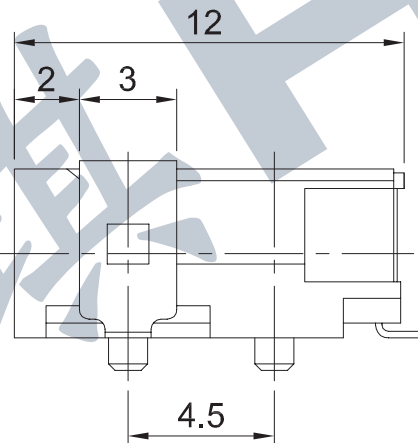
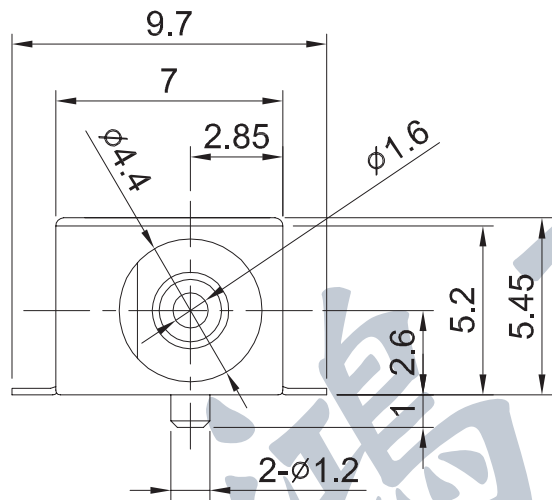


DC POWER JACKS

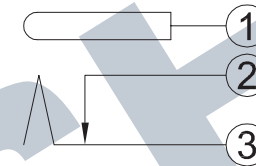
REFLOW TYPE

PJK-112 CENTER PIN : $\phi 1.6$

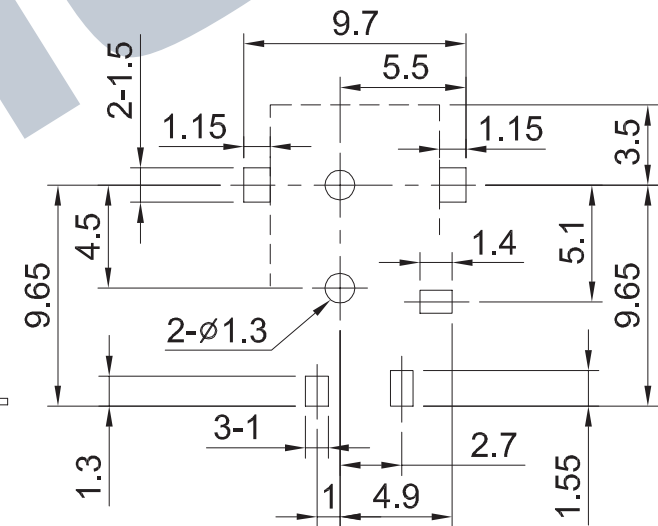
- Rating: DC6.3V 2A
- Force: 0.3~2.0kgf
- Life: 5,000 Cycles



Circuit



Pad Layout



TAPING PACKAGE: 900 PCS/REEL