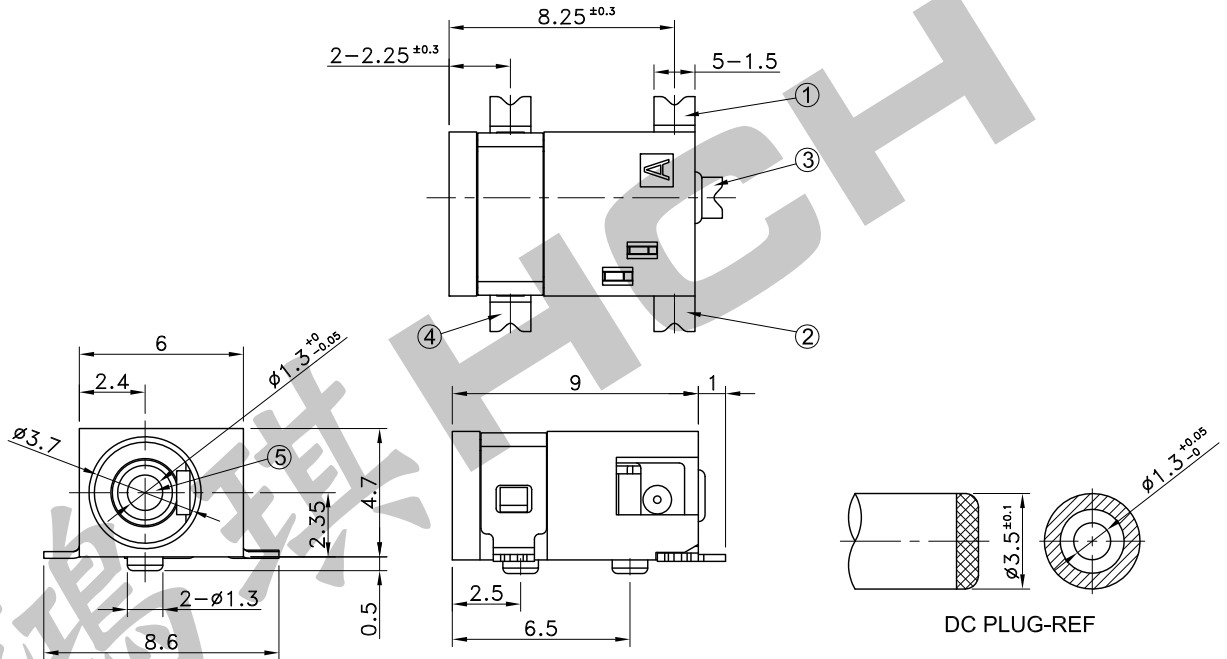
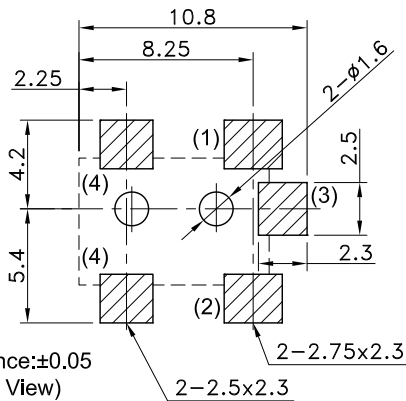


| | | | | | |
|-----|--------------|--------------------|------|-----------------|----------------|
| 6 | Housing | PA10T | 1 | | UL94V-0, Black |
| 5 | Center Pin | t0.2 Copper Alloy | 1 | Ni Plated | |
| 4 | Terminal (4) | t0.2 Copper Alloy | 1 | MB:Ni Ag Plated | |
| 3 | Terminal (3) | t0.25 Copper Alloy | 1 | MB:Ni Ag Plated | |
| 2 | Terminal (2) | t0.3 Copper Alloy | 1 | MB:Ni Ag Plated | |
| 1 | Terminal (1) | t0.25 Copper Alloy | 1 | MB:Ni Ag Plated | |
| No. | Parts | Material | Q'ty | Finish | Remarks |



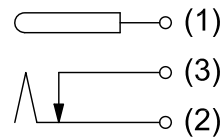
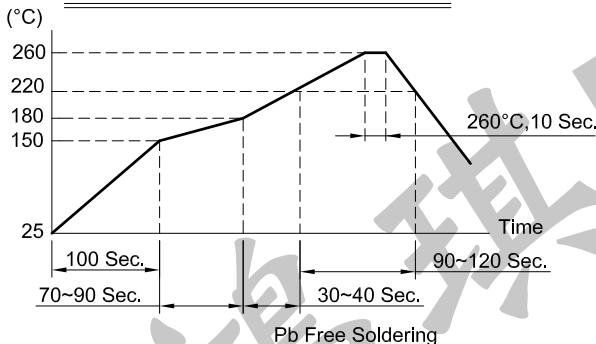
P.C.B TERMINAL POSITION

CIRCUIT ARRANGEMENT



Tolerance:±0.05
(Top View)

SOLDERING CONDITIONS



SPECIFICATIONS

- Rating : DC 16V 3.5A Max.
- Contact Resistance : 50mΩ Max.
- Insulation Resistance : 100MΩ Min. at DC 500V
- Dielectric Strength : AC 500V for 1 Minute
- Insertion & Extraction Force : 0.3~3kgf
- Life : 5,000 Cycles
- Taping Package : 1,000 Pcs/Reel
- Operating Temperature Range : -25~+70°C

| | | | |
|-------------|-------------------------------|---|---------------------|
| REVISION: | DATE: | REVISION: | DATE: |
| UNIT:mm | THIRD ANGLE PROJECTION METHOD | TOL. UNLESS OTHERWISE STATED:±0.3 | CODE NO.:HCH-2500-1 |
| ISSUED | CONFIRMED | PART NO. | |
| <i>John</i> | <i>Elvis</i> | HCH HORNG CHIH ISO9001 Certified ISO14001 Certified 鴻琪股份有限公司 | |
| 2026.05.22 | 2026.05.22 | PJK-109B | |