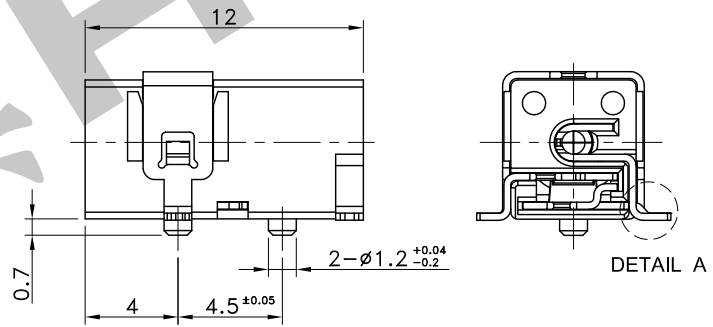
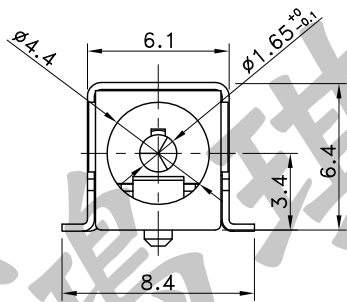
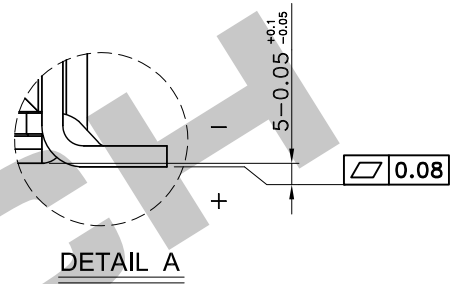
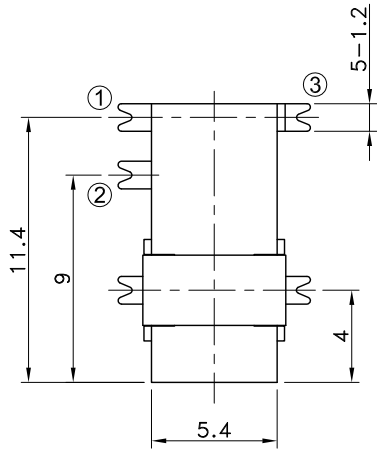
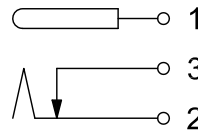
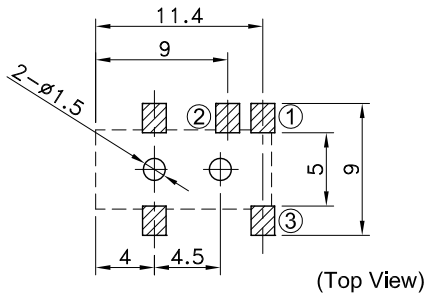


5	Contact Foot	t0.3 Copper Alloy	1	Ag Plated	
4	Pin	t0.3 Copper Alloy	1	Ag Plated	
3	Curve Piece	t0.3 Copper Alloy	1	Matte Tin Plated	
2	Spring	t0.3 Copper Alloy	1	Matte Tin Plated	
1	Housing	PA9T	1		Black
No.	Parts	Material	Q'ty	Finish	Remarks

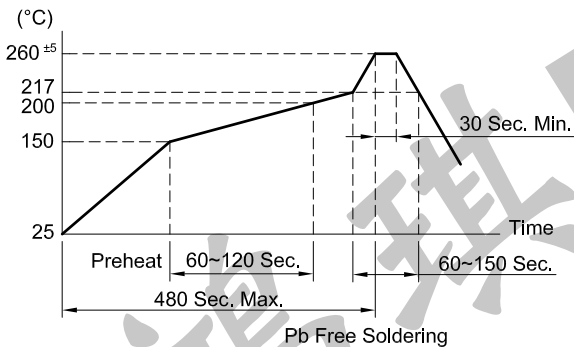


P.C.B TERMINAL POSITION

CIRCUIT ARRANGEMENT



SOLDERING CONDITIONS



SPECIFICATIONS

1. Rating : DC 24V 3A
2. Contact Resistance : 30mΩ Max.
3. Insulation Resistance : 100MΩ Min. at DC 500V
4. Dielectric Strength : AC 500V for 1 Minute
5. Insertion & Extraction Force : 0.3~3kgf
6. Life : 5,000 Cycles
7. Taping Package : 800 Pcs/Reel
8. Operating Temperature Range : -25~+85°C

REVISION:		DATE:		REVISION:		DATE:	
UNIT:mm		THIRD ANGLE PROJECTION METHOD		TOL. UNLESS OTHERWISE STATED:±0.3		CODE NO.:HCH-2499-5	
ISSUED		CONFIRMED		HCH [®] ISO9001 Certified ISO14001 Certified HORNG CHIH 鴻琪股份有限公司		PART NO. PJK-107B	
<i>John</i> 2025.04.29		<i>Elvis</i> 2025.04.29					