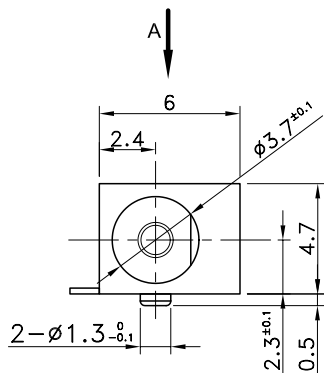
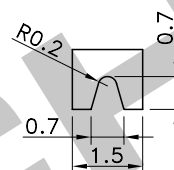
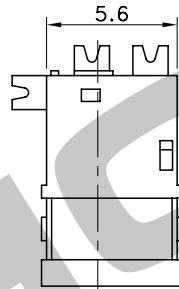
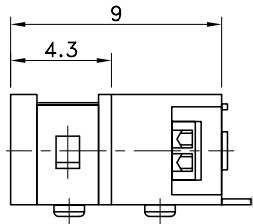


5	Body	PA (G 30% Included)	1	Black	UL94HB
4	Center Pin	C3604	1	Ni Plate	
3	Resilient Terminal	C1720	1	t:0.3 Ag Plated	
2	Non-Resilient Terminal	C2680	1	t:0.25 Ag Plated	
1	Center Terminal	C2680	1	t:0.2 Sn,Pb Plated	
No.	Parts	Material	Q'ty	Finish	Remarks

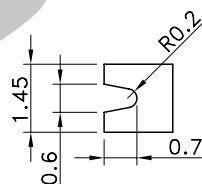


VIEW A

Detail of Terminal No. 1, 3



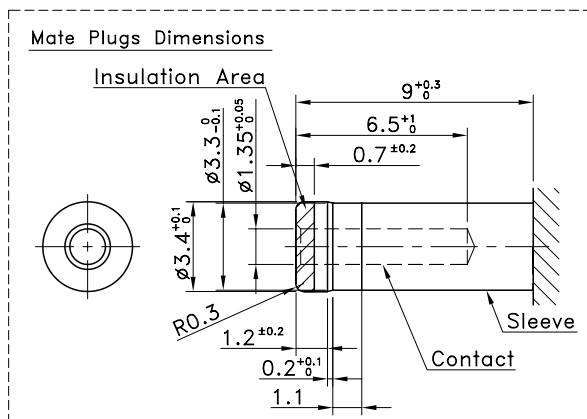
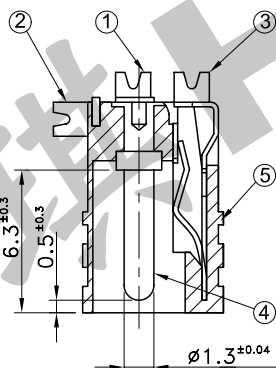
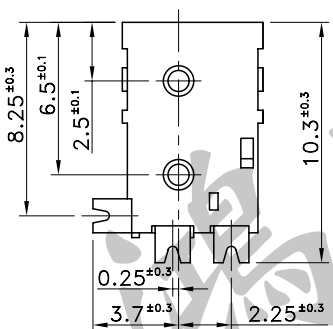
Detail of Terminal No. 2



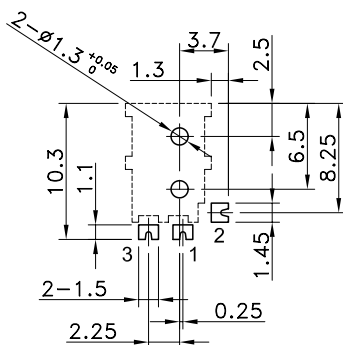
S=5/1



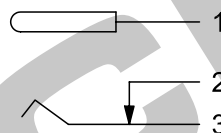
Standard Demention of each Terminal



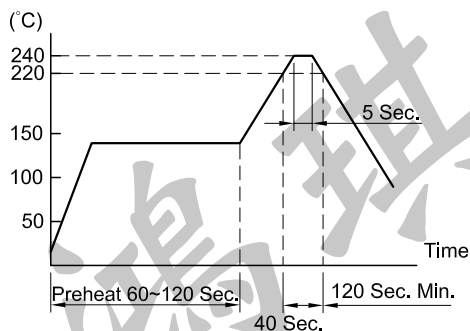
P.C.B TERMINAL POSITION



CIRCUIT ARRANGEMENT



SOLDERING CONDITIONS



SPECIFICATIONS

- Rating : DC 12V 0.5A
- Contact Resistance : 30mΩ Max.
- Insulation Resistance : 100MΩ Min. at DC 500V
- Dielectric Strength : AC 500V for 1 Minute
- Insertion & Extraction Force : 0.3~2kgf
- Life : 5,000 Cycles
- Taping Package : 950 Pcs/Reel
- Operating Temperature Range : -20~+50°C

REVISION:	DATE:	REVISION:	DATE:
-----------	-------	-----------	-------

UNIT:mm	THIRD ANGLE PROJECTION METHOD	TOL. UNLESS OTHERWISE STATED:±0.3	CODE NO.:HCH-632
---------	-------------------------------	-----------------------------------	------------------

ISSUED	CONFIRMED	<b>HORNG CHIH</b> 鴻琪股份有限公司 ISO9001 Certified ISO14001 Certified	PART NO.
John	Joey		<b>PJK-102</b>
2003.08.29	2003.08.29		