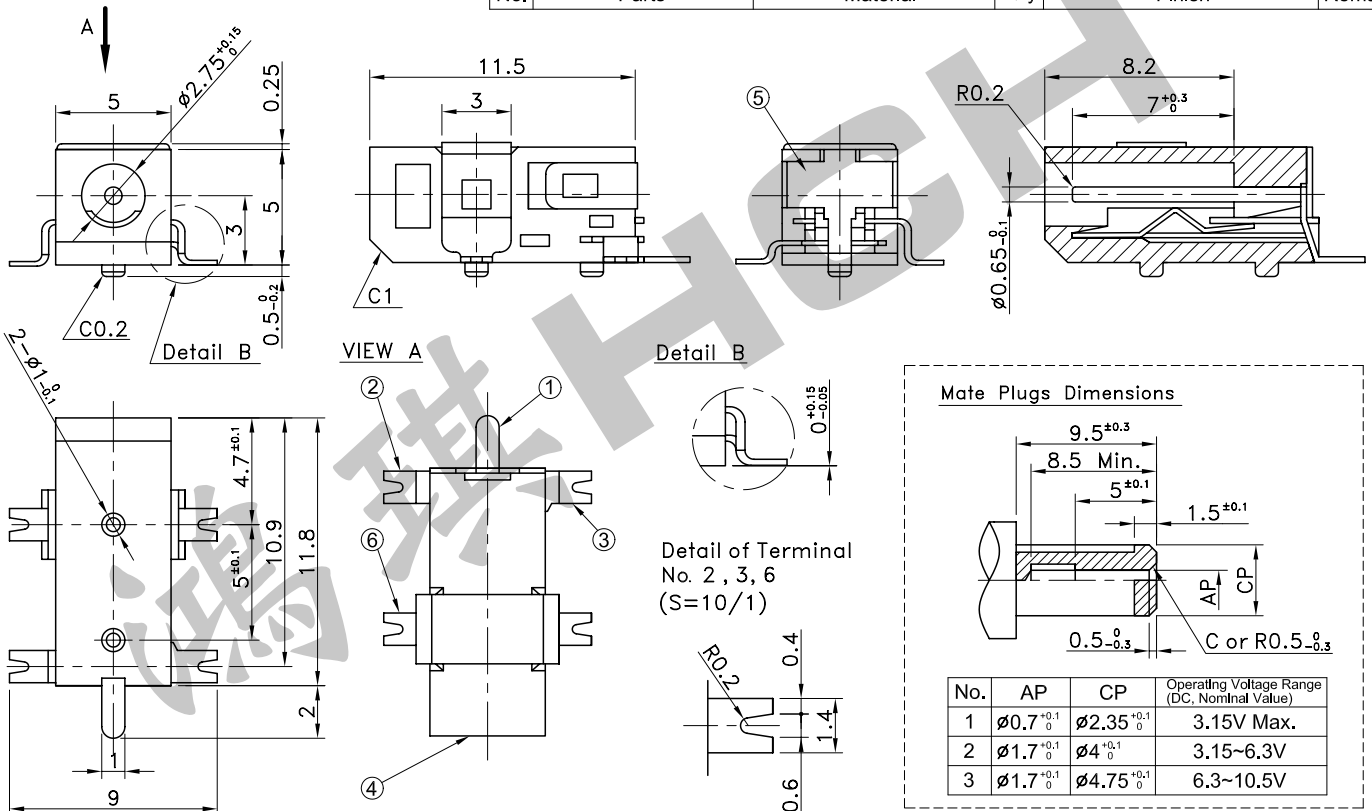


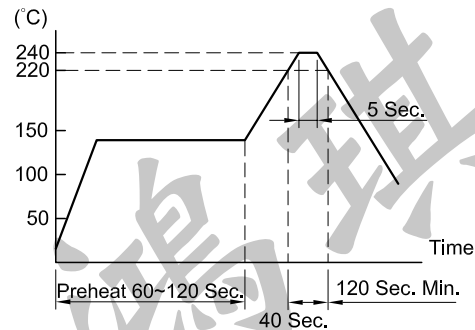
6	Angle	t:0.25 C2680R	1	Au Plated	
5	Center Terminal	t:0.3 C2680R or C5191	1	Ni Plated or Plating Material	
4	Body	PA(Leona 1300G)	1	Black	UL94HB
3	Resilient Terminal	t:0.3 C1720R	1	Au Plated	
2	Non-Resilient Terminal	t:0.3 C2680R	1	Au Plated	
1	Center Pin	∅0.65 C5191W	1	Au Plated	
No.	Parts	Material	Q'ty	Finish	Remarks



P.C.B TERMINAL POSITION

CIRCUIT ARRANGEMENT

REFLOW SOLDERING CONDITIONS



SPECIFICATIONS

- | | |
|--------------------------------|-------------------------|
| 1. Rating | : DC 3.15V 2A |
| 2. Contact Resistance | : 30mΩ Max. |
| 3. Insulation Resistance | : 100MΩ Min. at DC 500V |
| 4. Dielectric Strength | : AC 500V for 1 Minute |
| 5. Insertion Force | : 0.5~2kgf |
| Extraction Force | : 0.4~0.15kgf |
| 6. Life | : 5,000 Cycles |
| 7. Taping Package | : 700 Pcs/Reel |
| 8. Operating Temperature Range | : -20~+60°C |

REVISION:	DATE:	REVISION:	DATE:
UNIT:mm	THIRD ANGLE PROJECTION METHOD	TOL. UNLESS OTHERWISE STATED:±0.3	CODE NO.:HCH-631
ISSUED	CONFIRMED	PART NO.	
John	Joey	PJK-101	
2003.09.03	2003.09.03	HORNG CHIH 鴻琪股份有限公司	