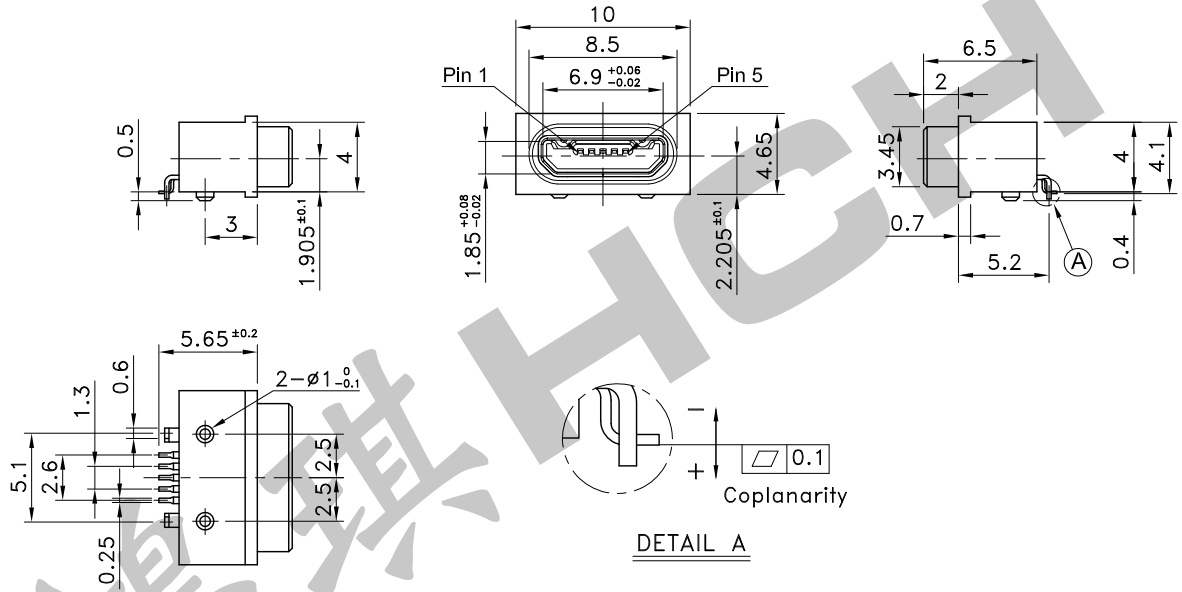
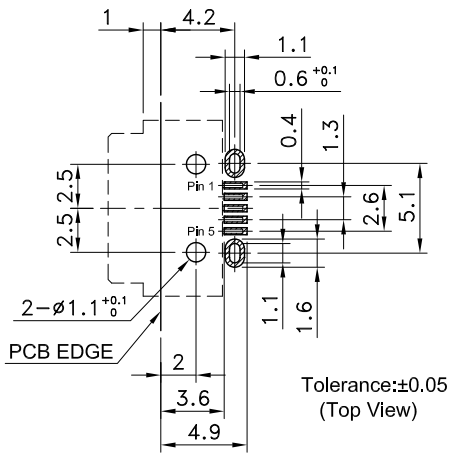


4	Insulator	LCP	
3	Shell	Stainless Steel	Nickel Plated
2	Terminals	Copper Alloy	Nickel plated on all area, Gold flash on contact & solder area
1	Housing	PA10T	
No.	Parts	Material	Finish

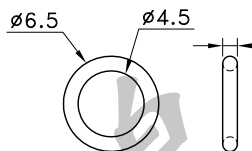


P.C.B TERMINAL POSITION



ACCESSORIES

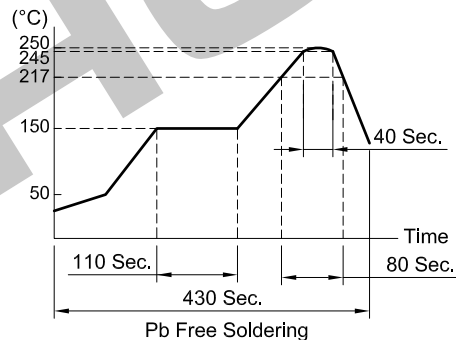
O-RING



SPECIFICATIONS

- Rating : AC 30V 1.8A Max. (Pin 1 , 5)
AC 30V 0.5A Max. (Pin 2 , 3 , 4)
- Contact Resistance : 30mΩ Max.
- Insulation Resistance : 100MΩ Min.
- Dielectric Strength : AC 250V for 1 Minute
- Insertion Force : 3.5kgf Max.
- Extract Force : 0.8kgf Min.
- Life : 10,000 Cycles
- Operating Temperature Range : -25~+85°C
- Storage Temperature Range : 0~+40°C
- Water Proof : IP67

SOLDERING CONDITIONS



REVISION:		DATE:		REVISION:		DATE:	
UNIT:mm		THIRD ANGLE PROJECTION METHOD		TOL. UNLESS OTHERWISE STATED:±0.2		CODE NO.: HCH-2380	
ISSUED		CONFIRMED		PART NO.		MUSB-870BB	
<i>John</i>		<i>Elvis</i>		HCH HORNG CHIH			
2020.11.09		2020.11.09		ISO9001 Certified ISO14001 Certified 鴻琪股份有限公司			