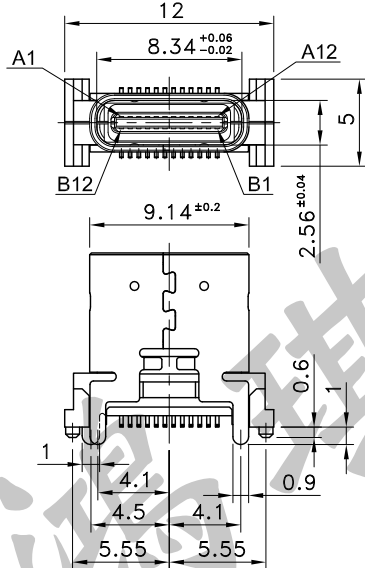


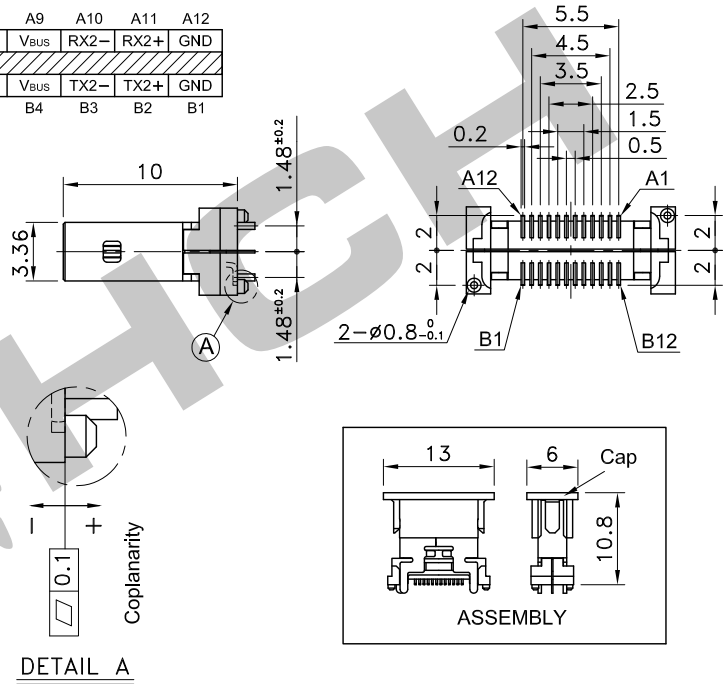
6	Cap	PA10T		Black
5	Insulator	PA10T		Black
4	Mid Plate	Stainless Steel	Nickel Plated	
3	Inner Ground Cover Shell	Stainless Steel		
2	Shell	Stainless Steel	Nickel Plated	
1	Contact	Copper Alloy	Nickel plated on all area, Gold flash on contact & solder area	
No.	Parts	Material	Finish	Remarks

Pin Assignment (Front View)

Pin NO.	A1	A2	A3	A4	A5	A6	A7	A8	A9	A10	A11	A12
	GND	TX1+	TX1-	V _{Bus}	CC1	D+	D-	SUB1	V _{Bus}	RX2-	RX2+	GND
Pin NO.	B12	B11	B10	B9	B8	B7	B6	B5	B4	B3	B2	B1
	GND	RX1+	RX1-	V _{Bus}	SBU2	D-	D+	CC2	V _{Bus}	TX2-	TX2+	GND



P.C.B TERMINAL POSITION

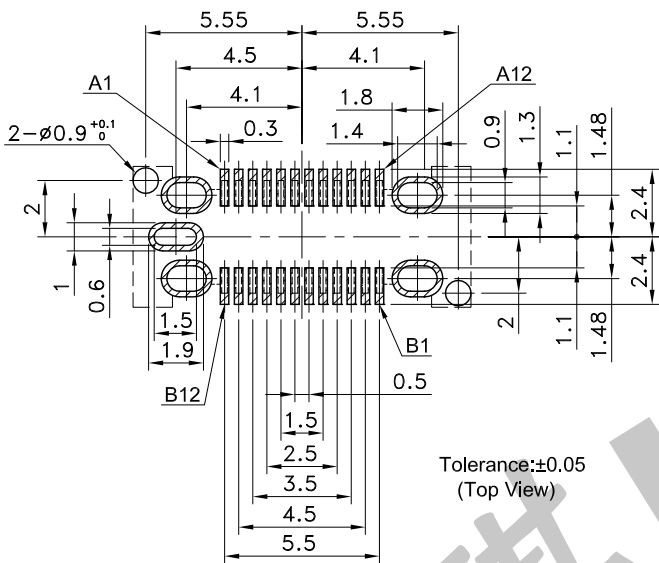


DETAIL A

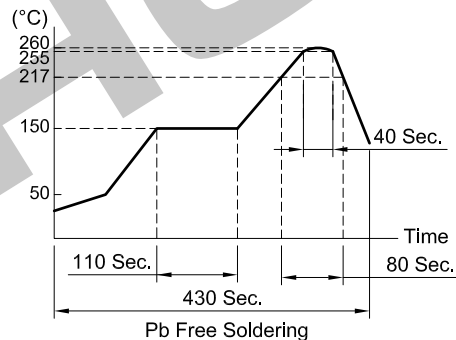
SPECIFICATIONS

- Contact Current Rating : 5A (Pin A4, A9, B4, B9)
1.25A (Pin B5, A1, A12, B1, B12)
0.25A (Other)
- Contact Resistance : 40mΩ Max.
- Insulation Resistance : 100MΩ Min.
- Dielectric Strength : AC 100V for 1 Minute
- Insertion Force : 0.5~2kgf
- Extract Force : 0.8~2kgf
- Life : 10,000 Cycles
- Operating Temperature Range : -25~+85°C
- Storage Temperature Range : 0~+40°C
- Water Proof : IP67

SOLDERING CONDITIONS



Tolerance:±0.05
(Top View)



REVISION:	DATE:	REVISION:	DATE:
UNIT:mm	THIRD ANGLE PROJECTION METHOD	TOL. UNLESS OTHERWISE STATED:±0.2	CODE NO.: HCH-2316
ISSUED	CONFIRMED	PART NO.	
<i>John</i>	<i>Elvis</i>	MUSB-865BB	
2020.01.14	2020.01.14	HCH ISO9001 Certified ISO14001 Certified HORNG CHIH 鴻琪股份有限公司	