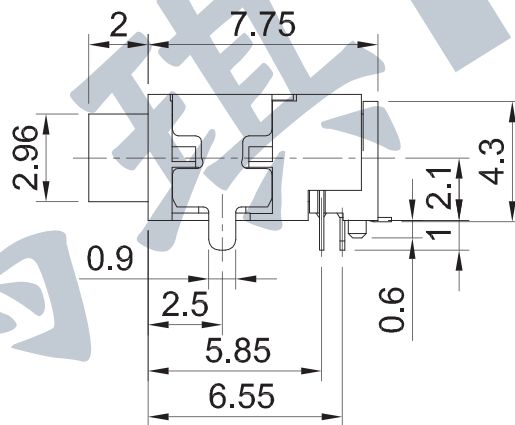
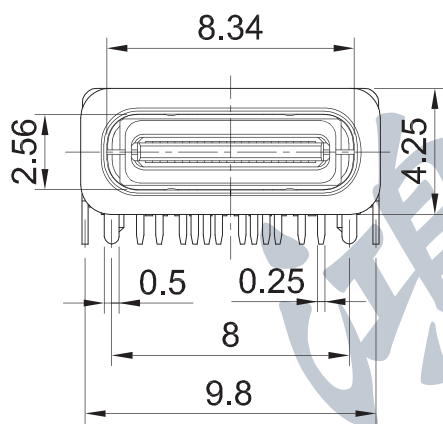
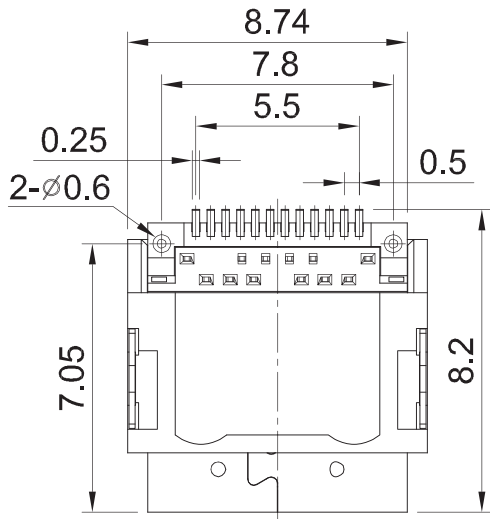


USB CONNECTORS

USB 3.1 TYPE-C WATER & DUST PROOF MUSB-864BB

- Rating: 5A (Pin A4,A9,B4,B9)
1.25A (Pin B5,A1,A12,
B1,B12)
0.25A (Other)
- Insertion Force: 0.5~2kgf
- Extraction Force: 0.8~2kgf
- Life: 10,000 Cycles



Pad Layout

