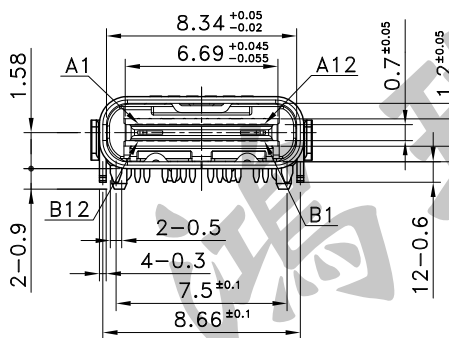
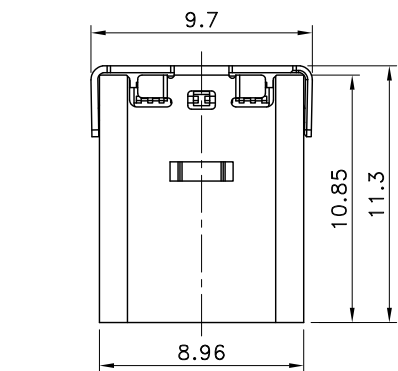
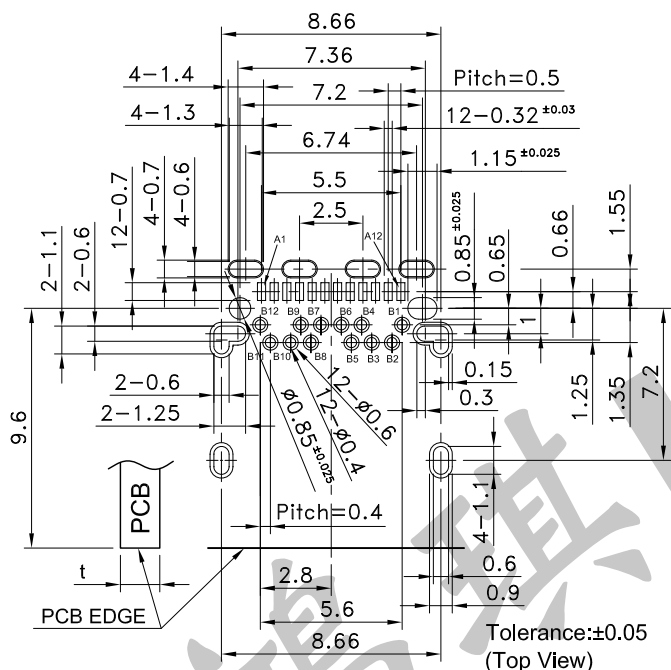


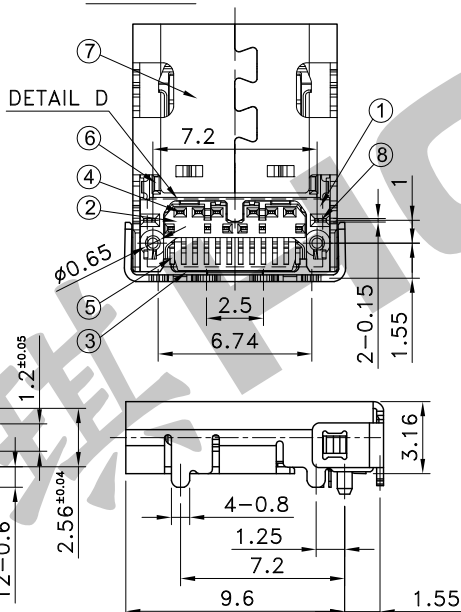
8	Mid Plate	t=0.15 Stainless Steel	1	200u" Max. Sn	
7	Shell	t=0.3 Stainless Steel	1	50u" Min. Solderable Ni	
6	EMI Shell	t=0.1 Stainless Steel	2	NONE	
5	Contact (SMT)	t=0.1 Copper Alloy	12	Contact area: 2u" Min. Au + 30u" Min. Ni-Pd on top of 80u" Min. Ni Lead Area: Sn 200u" Max.	
4	Contact (DIP)	t=0.1 Copper Alloy	12		
3	Insulator (P3)	High Temp Plastic	1		UL94V-0, Black
2	Insulator (P2)	High Temp Plastic	1		UL94V-0, Black
1	Housing (P1)	High Temp Plastic	1		UL94V-0, Black
No.	Parts	Material	Q'ty	Finish	Remarks



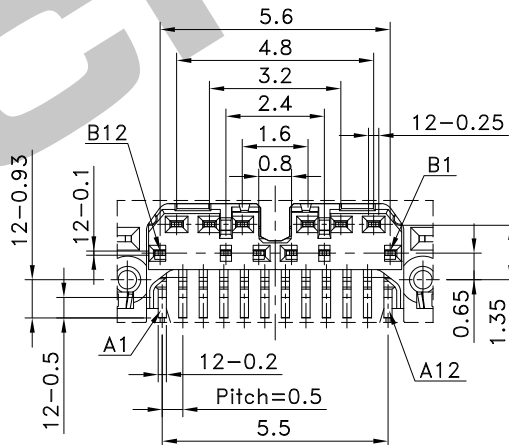
P.C.B TERMINAL POSITION



VIEW C



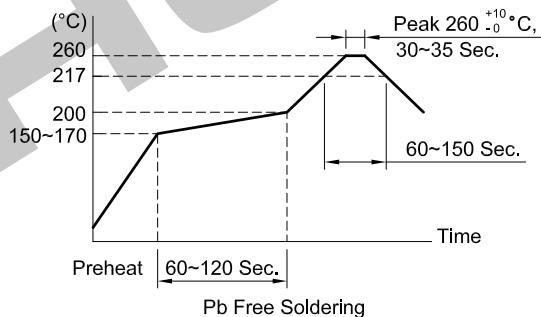
DETAIL D



SPECIFICATIONS

- Rating : AC/DC 30V
Power Pins Collectively 5A (Pins A1, A4, A9, A12, B1, B4, B9, B12)
Vconn Pin 1.25A (B5)
Signal Pins 0.25A (Other)
- Contact Resistance : 40mΩ Max.
- Insulation Resistance : 100MΩ Min.
- Dielectric Strength : AC 100V for 1 Minute
- Insertion Force : 0.5~2 kgf
- Extract Force : 0.8~2 kgf
- Life : 10,000 Cycles
- Package : 1,200 Pcs/Reel
- Operating Temperature Range : -30~+85°C
- Storage Temperature Range : -40~+85°C

SOLDERING CONDITIONS



REVISION:	DATE:	REVISION:	DATE:
-----------	-------	-----------	-------

UNIT:mm	THIRD ANGLE PROJECTION METHOD	TOL. UNLESS OTHERWISE STATED:±0.15	CODE NO.: HCH-2179
---------	-------------------------------	------------------------------------	--------------------

ISSUED	CONFIRMED	 HORNG CHIH 鴻琪股份有限公司	PART NO.
 2018.03.26	 2018.03.26		MUSB-860CB