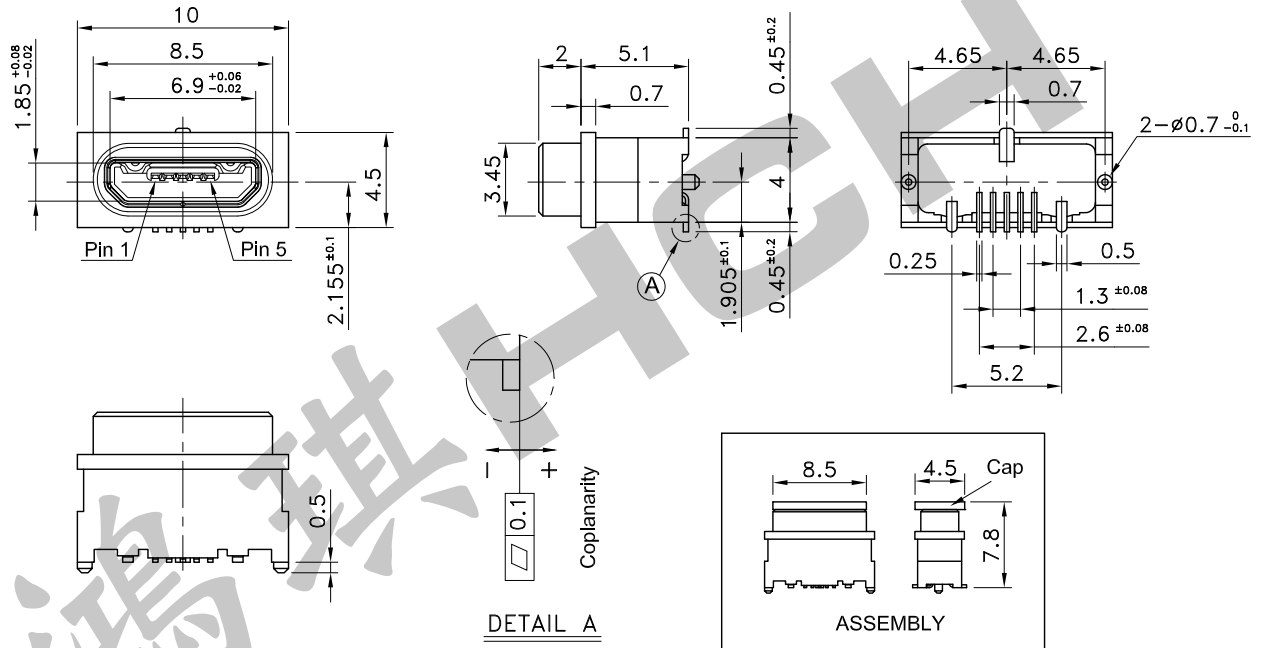


5	Cap	PA10T		Black
4	Housing	PA10T		Black
3	Insulator	PA10T		Black
2	Shell	Stainless Steel	Nickel Plated	
1	Terminals	Copper Alloy	Nickel plated on all area, Gold flash on contact & solder area	
No.	Parts	Material	Finish	Remarks

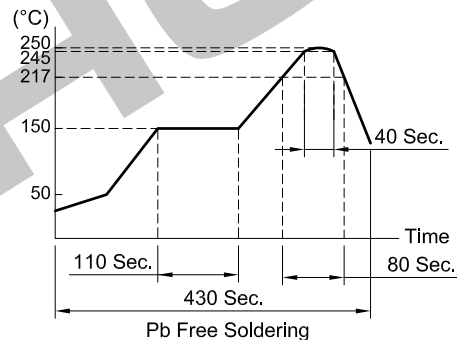
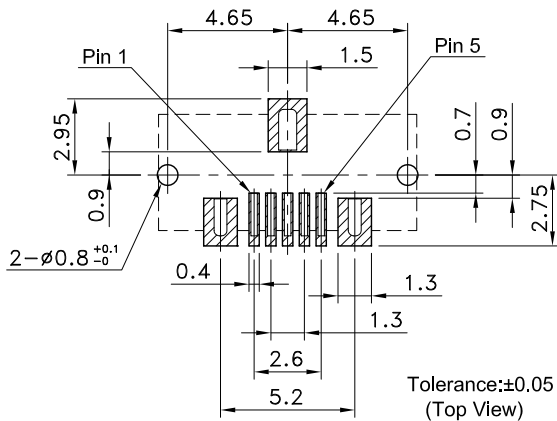


### P.C.B TERMINAL POSITION

### SPECIFICATIONS

- Rating : AC 30V 1.8A Max. (Pin 1 , 5)  
AC 30V 0.5A Max. (Pin 2 , 3 , 4)
- Contact Resistance : 30mΩ Max.
- Insulation Resistance : 100MΩ Min.
- Dielectric Strength : AC 250V for 1 Minute
- Insertion Force : 3.5kgf Max.
- Extract Force : 0.8kgf Min.
- Life : 10,000 Cycles
- Operating Temperature Range : -25~+85°C
- Storage Temperature Range : 0~+40°C
- Water Proof : IP67

### SOLDERING CONDITIONS



REVISION:	DATE:	REVISION:	DATE:
UNIT:mm	THIRD ANGLE PROJECTION METHOD	TOL. UNLESS OTHERWISE STATED:±0.2	CODE NO.: HCH-2315
ISSUED	CONFIRMED	PART NO.	
<i>John</i>	<i>Elvis</i>	<b>MUSB-855BB</b>	
2020.01.09	2020.01.09	<b>HCH</b> ISO9001 Certified ISO14001 Certified <b>HORNG CHIH</b> 鴻琪股份有限公司	