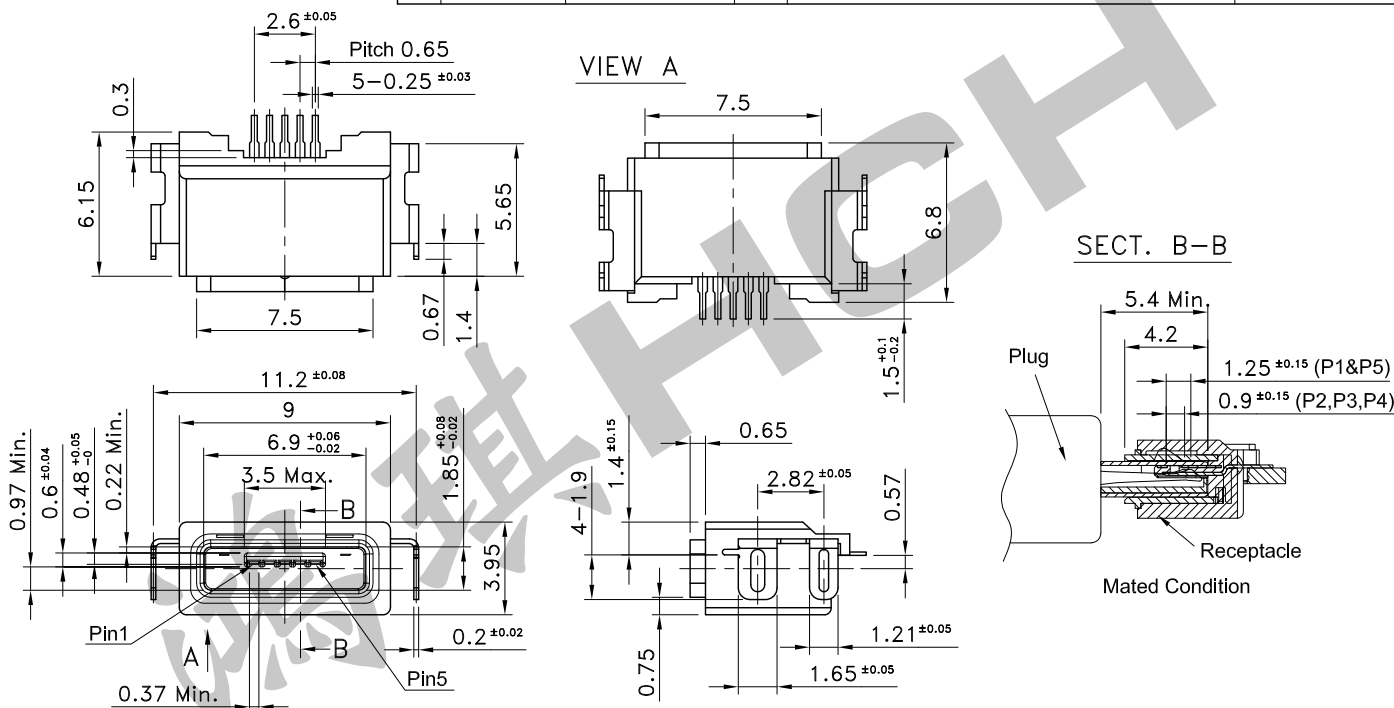


6	Support	Stainless Steel	1	50~180u", Ni Overall	
5	Overmold	Thermo Plastic	1		UL94V-0, Black
4	Bracket	Stainless Steel	1	Sn 40u"~70u", Plating Overall Ni 50u"~100u", Under Plating Overall	
3	Contact	Copper Alloy	5	Contact Area: Au 30u"; Solder Area: Au 3~5u" Under Plating: Ni 50~100u" Overall	
2	Shell	Stainless Steel	1	50~180u", Ni Overall	
1	Housing	Thermo Plastic	1		UL94V-0, Black
No.	Parts	Material	Q'ty	Finish	Remarks

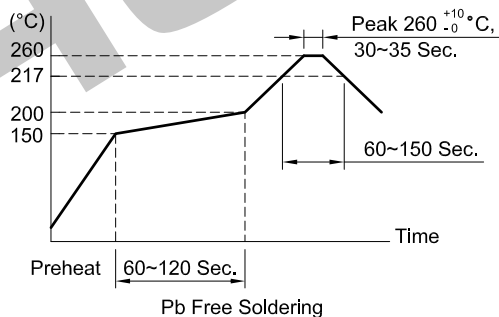


P.C.B TERMINAL POSITION

SPECIFICATIONS

- Rating : DC 5V
0.5A (Pin 2,3,4)
1.8A (Pin 1,5)
- Contact Resistance : 30mΩ Max.
- Insulation Resistance : 100MΩ Min.
- Dielectric Strength : AC 500V for 1 Minute
- Insertion Force : 0.7~3.5 kgf
- Extract Force : 0.3~3.5 kgf
- Life : 10,000 Cycles
- Operating Temperature Range : -30~+85°C
- Waterproof : IPX4

SOLDERING CONDITIONS



REVISION:	DATE:	REVISION:	DATE:
UNIT:mm	THIRD ANGLE PROJECTION METHOD	TOL. UNLESS OTHERWISE STATED:±0.2	CODE NO.: HCH-2227
ISSUED	CONFIRMED	PART NO.	
<i>John</i>	<i>Elvis</i>	MUSB-852CB	
2018.11.23	2018.11.23	HCH ISO9001 Certified ISO14001 Certified HORNG CHIH 鴻琪股份有限公司	