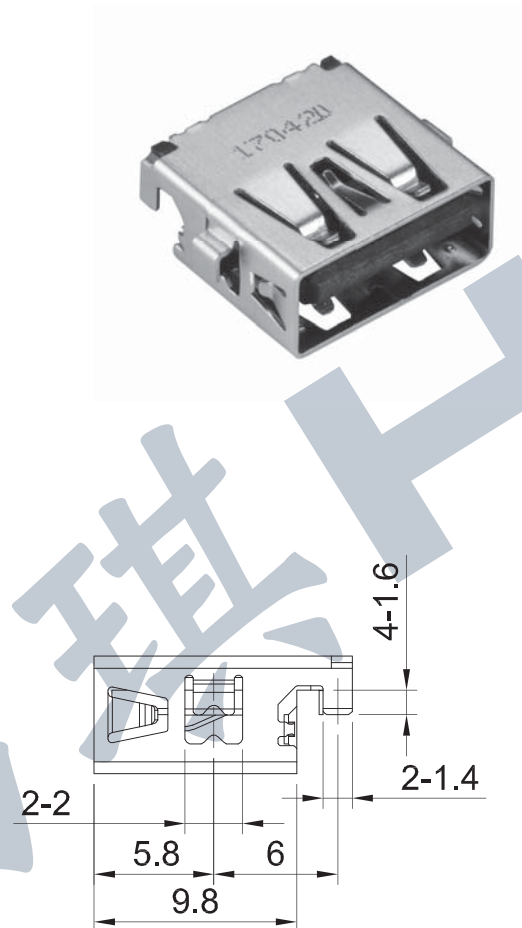
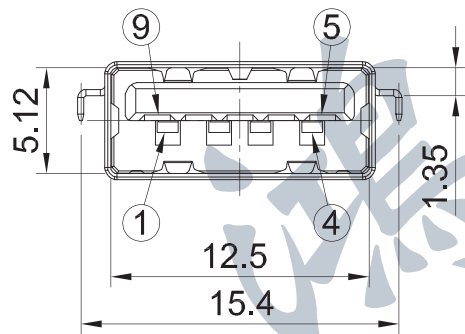
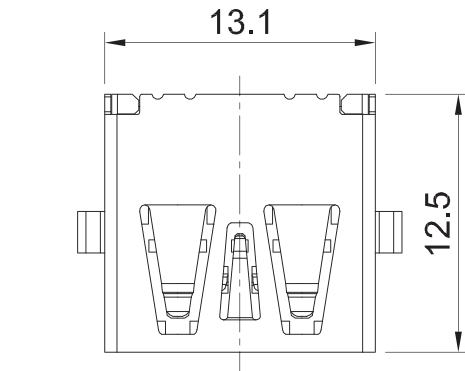


USB CONNECTORS

USB 3.0 A TYPE MUSB-851CB

- Rating: AC5V 1.8A
- Insertion Force: 3.5kgf Max.
- Extraction Force: 1.0kgf Min.
- Life: 5,000 Cycles



Mounting Hole Layout

