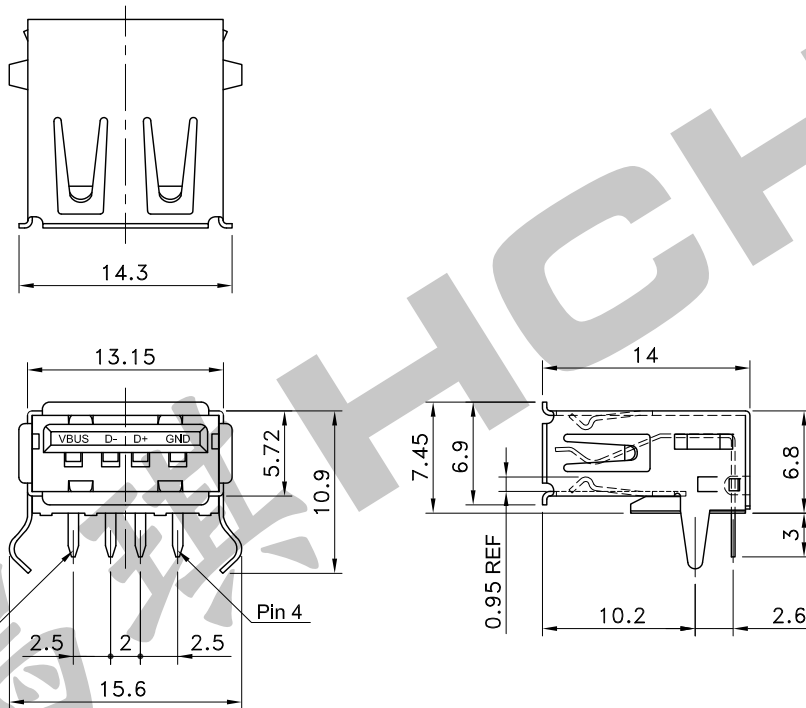
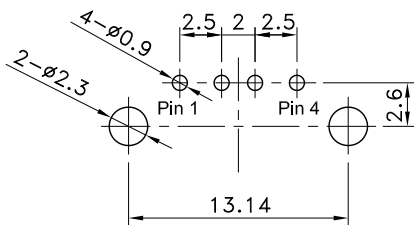


3	Shell	SPCC	Nickel Under Plated Surface Layer	
2	Contact	Brass	Plated Gold in Mating Area ; Tin Plated on Solder Balls ; Nickel under Plated overall	
1	Housing	PBT		UL94V-0, White
No.	Parts	Material	Finish	Remarks



### P.C.B TERMINAL POSITION



### SPECIFICATIONS

1. Rating : DC 30V 1.5A
2. Contact Resistance : 30m $\Omega$  Max.
3. Insulation Resistance : 1,000M $\Omega$  Min.
4. Dielectric Strength : AC 500V for 1 Minute
5. Insertion Force : 3.57kgf Max.
6. Extract Force : 1.02kgf Min.
7. Life : 1,500 Cycles
8. Operating Temperature Range : -55~+85 $^{\circ}$ C
9. Storage Temperature Range : -30~+80 $^{\circ}$ C

### SOLDERING CONDITIONS

	Temperature ( $^{\circ}$ C)	Time (Sec.)
Auto Soldering	260 Max.	5 Max.
Manual Soldering	360 $\pm$ 10	3.5 $\pm$ 0.5

REVISION:		DATE:		REVISION:		DATE:	
UNIT:mm		THIRD ANGLE PROJECTION METHOD		TOL. UNLESS OTHERWISE STATED: $\pm$ 0.3		CODE NO.: HCH-2311	
ISSUED		CONFIRMED		PART NO.		MUSB-843CF	
<i>John</i> 2019.12.25		<i>Elvis</i> 2019.12.25		<b>HCH</b> ISO9001 Certified ISO14001 Certified <b>HORNG CHIH</b> 鴻琪股份有限公司			