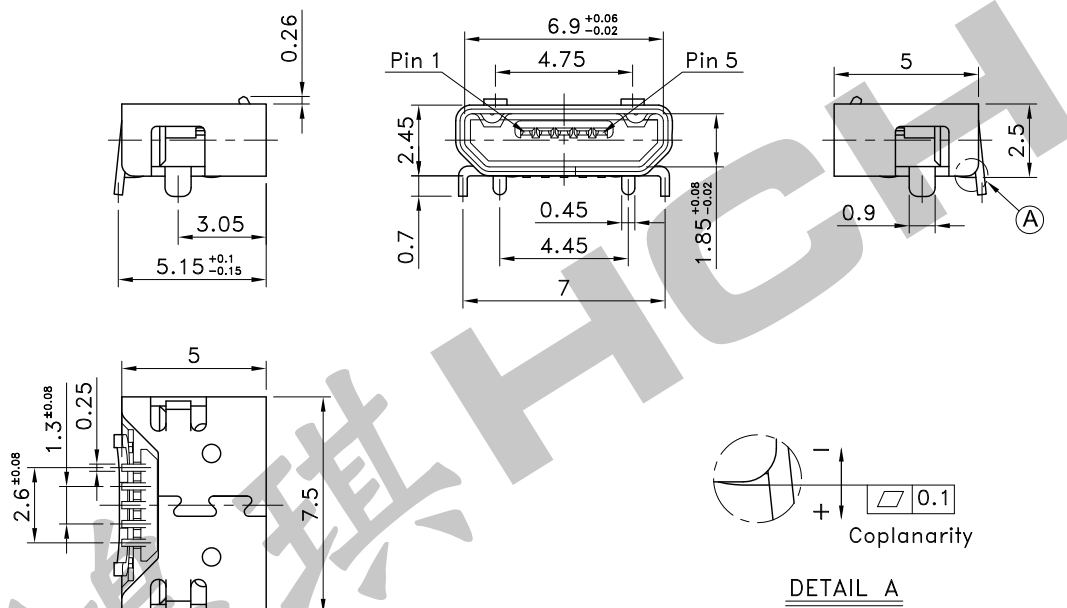


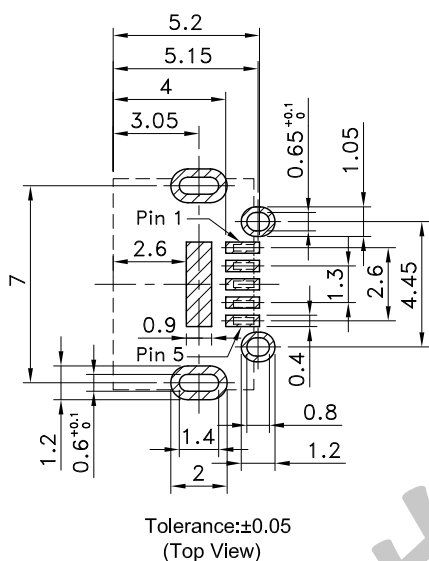
3	Plastic	LCP		UL94-0, Black
2	Shell	Stainless Steel	Ni: 50u" Min.	
1	Terminals	Copper Alloy	Ni: 30u" Min., Gold flash on contact and solder area	
No.	Parts	Material	Finish	Remarks



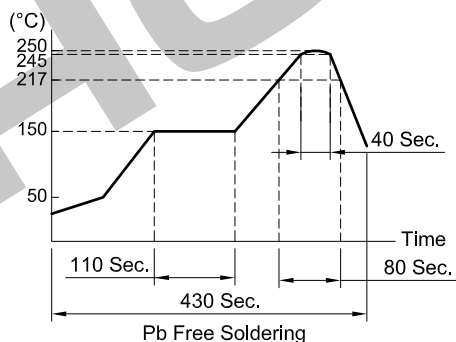
P.C.B TERMINAL POSITION

SPECIFICATIONS

- Rating : AC 30V 1.8A Max. (Pin 1 , 5)
AC 30V 0.5A Max. (Pin 2 , 3 , 4)
- Contact Resistance : 30mΩ Max.
- Insulation Resistance : 100MΩ Min.
- Dielectric Strength : AC 250V for 1 Minute
- Insertion Force : 3.5kgf Max.
- Extract Force : 0.8kgf Min.
- Life : 10,000 Cycles
- Operating Temperature Range : -25~+85°C



SOLDERING CONDITIONS



REVISION:		DATE:		REVISION:		DATE:	
UNIT:mm		THIRD ANGLE PROJECTION METHOD		TOL. UNLESS OTHERWISE STATED:±0.2		CODE NO.: HCH-2054	
ISSUED		CONFIRMED		PART NO.		MUSB-842CB	
John		Elvis		HCH® ISO9001 Certified ISO14001 Certified		HORNG CHIH 鴻琪股份有限公司	
2016.02.16		2016.02.16					