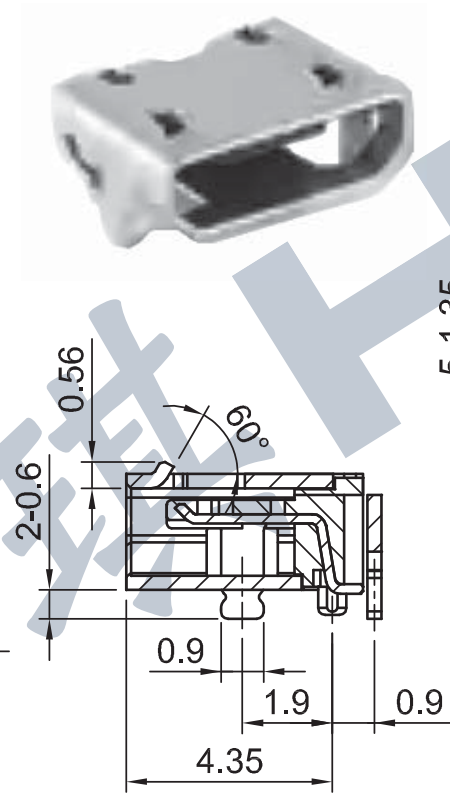
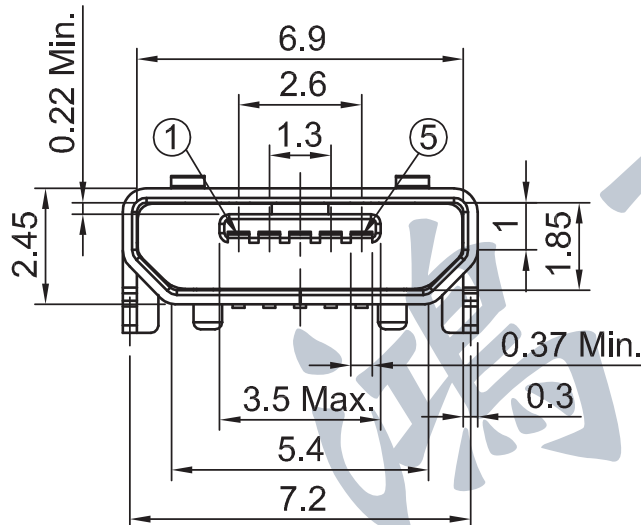
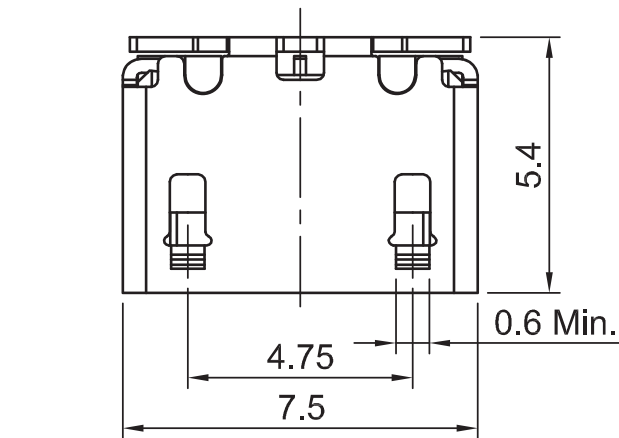


USB CONNECTORS

MICRO USB TYPE MUSB-829BB

- Rating: 30V Max. 0.5A (Pin 2,3,4)
30V Max. 1.8A (Pin 1,5)
- Insertion Force: 3.5kgf Max.
- Extraction Force: 0.8kgf
- Life: 10,000 Cycles
- Package: 1,500 Pcs/Reel



Pad Layout

