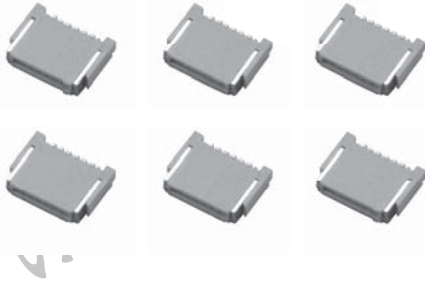
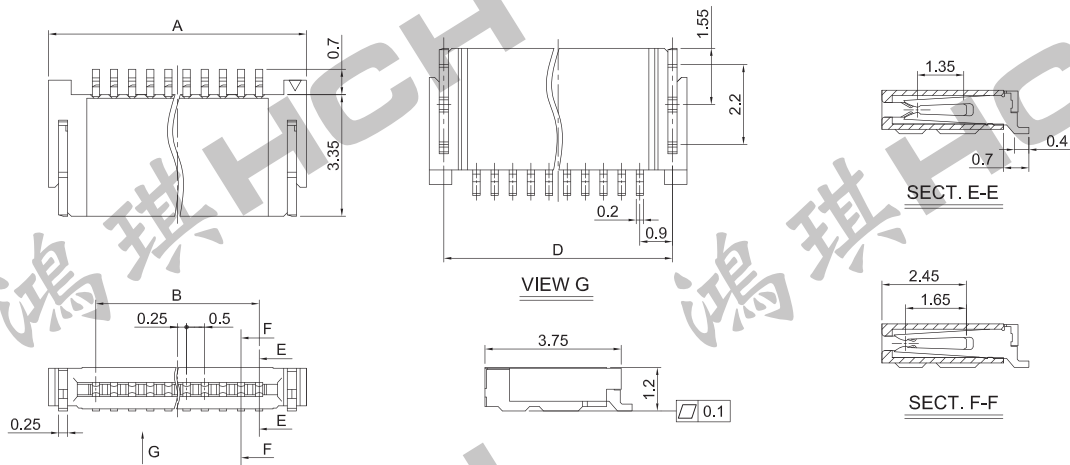


FPC • FFC CONNECTOR PITCH:0.5mm H:1.2mm FPC5 SERIES



- Rating: AC/DC50V 500mA
- Contact Resistance: 50mΩ Max.
- Insulation Resistance: 100Ω Min. at DC250V
- Dielectric Strength: AC250V for 1 Minute
- Pitch: 0.5mm
- Height: 1.2mm
- No. of Poles: 5~30 Poles
- Applicable FPC/FFC Thickness: 0.3±0.03mm
- Operating Temperature: -40 ~ +85°C
- Package: 4,000 Pcs/Reel

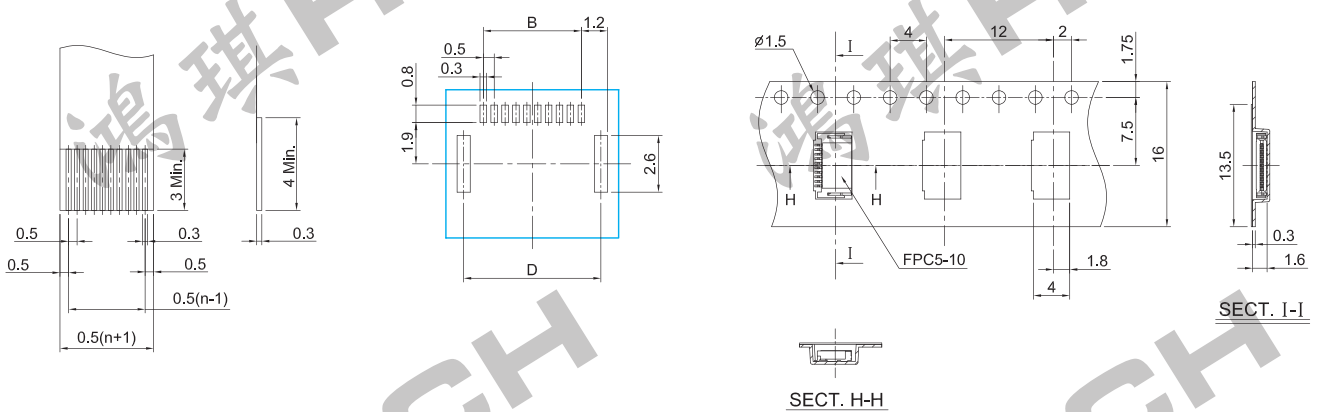
FPC5-□□



FPC • FFC Dimensions

Pad Layout

Taping Package



PARTS NO.	PIN	A	B	C	D	PARTS NO.	PIN	A	B	C	D	PARTS NO.	PIN	A	B	C	D
FPC5-05	5	4.6	2.0	3.0	3.8	FPC5-14	14	9.1	6.5	7.5	8.3	FPC5-23	23	13.6	11.0	12.0	12.8
FPC5-06	6	5.1	2.5	3.5	4.3	FPC5-15	15	9.6	7.0	8.0	8.8	FPC5-24	24	14.1	11.5	12.5	13.3
FPC5-07	7	5.6	3.0	4.0	4.8	FPC5-16	16	10.1	7.5	8.5	9.3	FPC5-25	25	14.6	12.0	13.0	13.8
FPC5-08	8	6.1	3.5	4.5	5.3	FPC5-17	17	10.6	8.0	9.0	9.8	FPC5-26	26	15.1	12.5	13.5	14.3
FPC5-09	9	6.6	4.0	5.0	5.8	FPC5-18	18	11.1	8.5	9.5	10.3	FPC5-27	27	15.6	13.0	14.0	14.8
FPC5-10	10	7.1	4.5	5.5	6.3	FPC5-19	19	11.6	9.0	10.0	10.8	FPC5-28	28	16.1	13.5	14.5	15.3
FPC5-11	11	7.6	5.0	6.0	6.8	FPC5-20	20	12.1	9.5	10.5	11.3	FPC5-29	29	16.6	14.0	15.0	15.8
FPC5-12	12	8.1	5.5	6.5	7.3	FPC5-21	21	12.6	10.0	11.0	11.8	FPC5-30	30	17.1	14.5	15.5	16.3
FPC5-13	13	8.6	6.0	7.0	7.8	FPC5-22	22	13.1	10.5	11.5	12.3						