

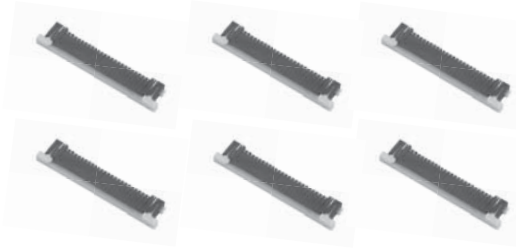
FPC • FFC CONNECTOR

PITCH:1.0mm H:2.55mm

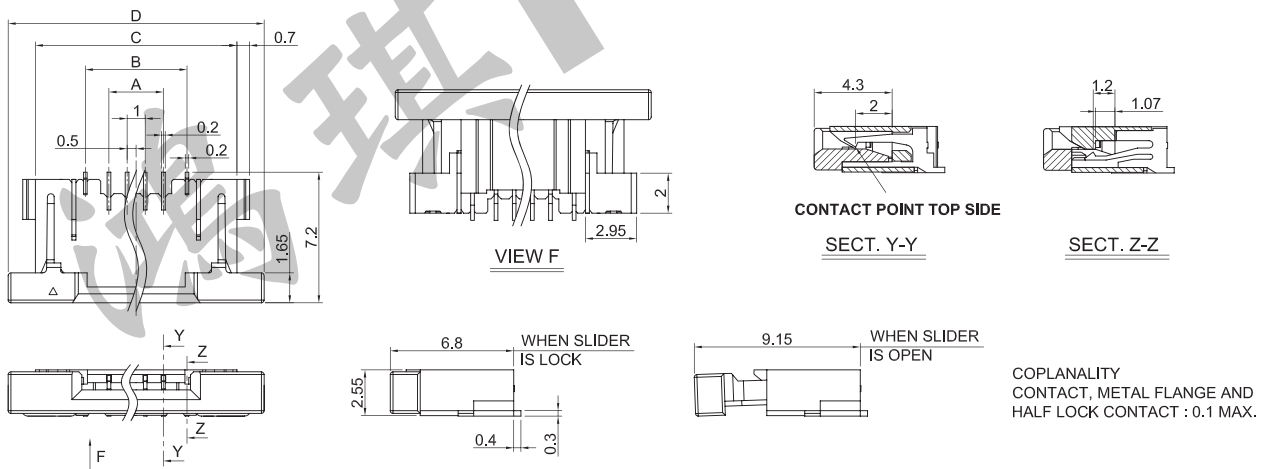
CONTACT POINT TOP SIDE

FPC20 SERIES

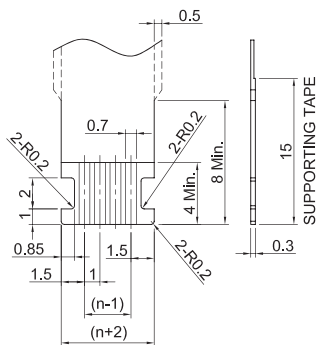
- Rating: AC/DC125V 1A
- Contact Resistance: 30mΩ Max.
- Insulation Resistance: 100Ω Min. at DC250V
- Dielectric Strength: AC250V for 1 Minute
- Pitch: 1.0mm
- Height: 2.55mm
- No. of Poles: 4~40 Poles
- Operating Temperature: -40 ~ +105°C
- Package: 2,000 Pcs/Reel



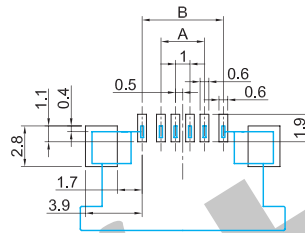
FPC20-□□



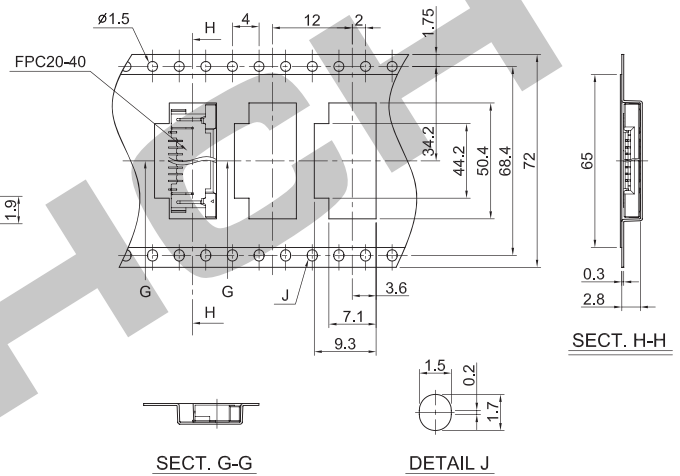
FPC • FFC Dimensions



Pad Layout



Taping Package



PARTS NO.	PIN	A	B	C	D	PARTS NO.	PIN	A	B	C	D	PARTS NO.	PIN	A	B	C	D
FPC20-04	4	3	5.6	11.1	14.1	FPC20-14	14	13	15.6	21.1	24.1	FPC20-24	24	23	25.6	31.1	34.1
FPC20-05	5	4	6.6	12.1	15.1	FPC20-15	15	14	16.6	22.1	25.1	FPC20-25	25	24	26.6	32.1	35.1
FPC20-06	6	5	7.6	13.1	16.1	FPC20-16	16	15	17.6	23.1	26.1	FPC20-26	26	25	27.6	33.1	36.1
FPC20-07	7	6	8.6	14.1	17.1	FPC20-17	17	16	18.6	24.1	27.1	FPC20-27	27	26	28.6	34.1	37.1
FPC20-08	8	7	9.6	15.1	18.1	FPC20-18	18	17	19.6	25.1	28.1	FPC20-28	28	27	29.6	35.1	38.1
FPC20-09	9	8	10.6	16.1	19.1	FPC20-19	19	18	20.6	26.1	29.1	FPC20-29	29	28	30.6	36.1	39.1
FPC20-10	10	9	11.6	17.1	20.1	FPC20-20	20	19	21.6	27.1	30.1	FPC20-30	30	29	31.6	37.1	40.1
FPC20-11	11	10	12.6	18.1	21.1	FPC20-21	21	20	22.6	28.1	31.1	FPC20-40	40	39	41.6	47.1	50.1
FPC20-12	12	11	13.6	19.1	22.1	FPC20-22	22	21	23.6	29.1	32.1						
FPC20-13	13	12	14.6	20.1	23.1	FPC20-23	23	22	24.6	30.1	33.1						