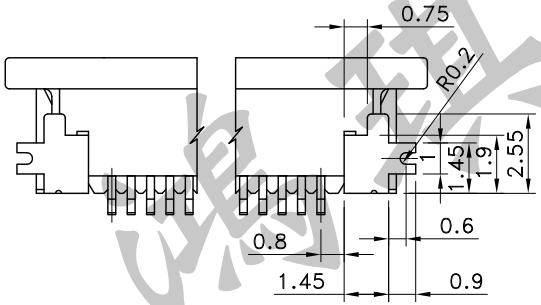
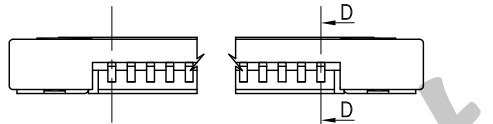
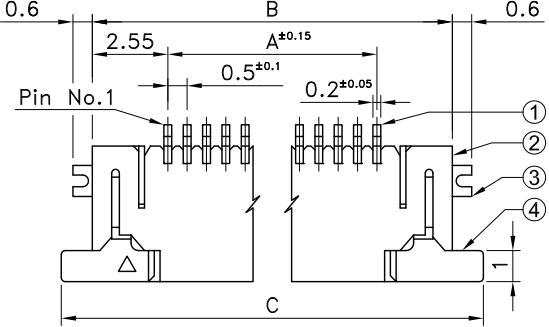
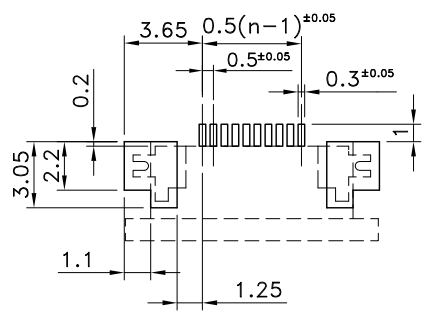


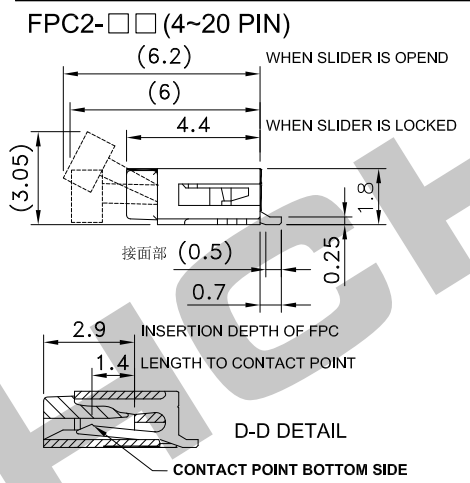
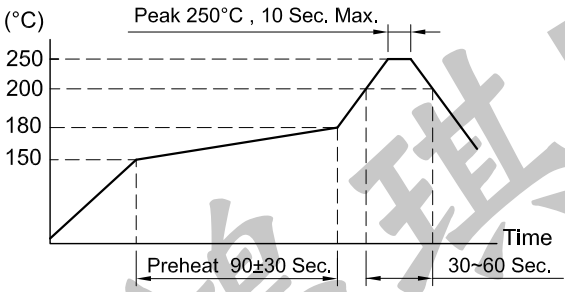
4	Slider	PPS		UL94V-0, Black
3	Anchor Plate	t0.2 Brass	Over Nickel Plate 1.5~3.5μm Tin Matt Plate 3~6μm	
2	Housing	PA46		UL94V-0, White
1	Contact	Phosphor Bronze	Over Nickel Plate 2μm Au Plate : Contact Area: 0.1μm Min. Tail Area: 0.03~0.1μm	
No.	Parts	Material	Finish	Remarks



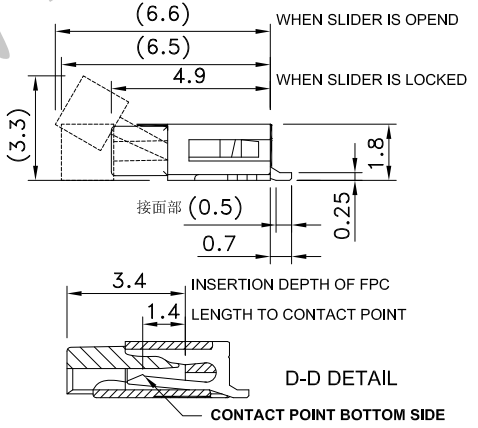
P.C.B TERMINAL POSITION



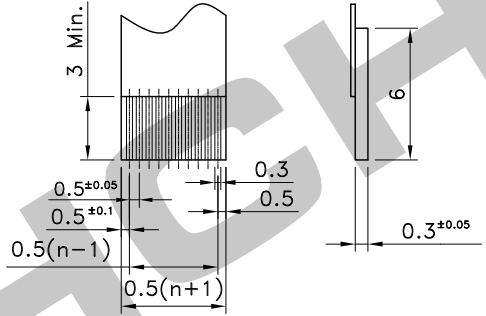
SOLDERING CONDITIONS



FPC2-□□ (21~50 PIN)



FPC • FFC DIMENSIONS



SPECIFICATIONS

- Rating : AC/DC 50V 500mA
- Contact Resistance : 50mΩ Max.
- Insulation Resistance : 100MΩ Min. at DC 250V
- Dielectric Strength : AC 250V for 1 Minute
- Package : 3,000 Pcs/Reel
- Operating Temperature Range : -40~+105°C

PARTS NO.	PIN	A	B	C
FPC2-04	4	1.5	6.6	8.6
FPC2-05	5	2.0	7.1	9.1
FPC2-06	6	2.5	7.6	9.6
FPC2-07	7	3.0	8.1	10.1
FPC2-08	8	3.5	8.6	10.6
FPC2-09	9	4.0	9.1	11.1
FPC2-10	10	4.5	9.6	11.6
FPC2-11	11	5.0	10.1	12.1
FPC2-12	12	5.5	10.6	12.6
FPC2-13	13	6.0	11.1	13.1
FPC2-14	14	6.5	11.6	13.6
FPC2-15	15	7.0	12.1	14.1
FPC2-16	16	7.5	12.6	14.6
FPC2-17	17	8.0	13.1	15.1
FPC2-18	18	8.5	13.6	15.6
FPC2-19	19	9.0	14.1	16.1
FPC2-20	20	9.5	14.6	16.6
FPC2-21	21	10.0	15.1	17.1
FPC2-22	22	10.5	15.6	17.6
FPC2-23	23	11.0	16.1	18.1
FPC2-24	24	11.5	16.6	18.6
FPC2-25	25	12.0	17.1	19.1
FPC2-26	26	12.5	17.6	19.6
FPC2-27	27	13.0	18.1	20.1
FPC2-28	28	13.5	18.6	20.6
FPC2-29	29	14.0	19.1	21.1
FPC2-30	30	14.5	19.6	21.6
FPC2-31	31	15.0	20.1	22.1
FPC2-32	32	15.5	20.6	22.6
FPC2-33	33	16.0	21.1	23.1
FPC2-34	34	16.5	21.6	23.6
FPC2-35	35	17.0	22.1	24.1
FPC2-36	36	17.5	22.6	24.6
FPC2-37	37	18.0	23.1	25.1
FPC2-38	38	18.5	23.6	25.6
FPC2-39	39	19.0	24.1	26.1
FPC2-40	40	19.5	24.6	26.6
FPC2-41	41	20.0	25.1	27.1
FPC2-42	42	20.5	25.6	27.6
FPC2-43	43	21.0	26.1	28.1
FPC2-44	44	21.5	26.6	28.6
FPC2-45	45	22.0	27.1	29.1
FPC2-46	46	22.5	27.6	29.6
FPC2-47	47	23.0	28.1	30.1
FPC2-48	48	23.5	28.6	30.6
FPC2-49	49	24.0	29.1	31.1
FPC2-50	50	24.5	29.6	31.6

REVISION:	DATE:	REVISION:	DATE:
UNIT:mm	THIRD ANGLE PROJECTION METHOD	TOL. UNLESS OTHERWISE STATED:±0.3	CODE NO.:HCH-131-4
ISSUED	CONFIRMED	PART NO.	
<i>John</i>	<i>Elvis</i>	FPC2 (RoHS)	
2020.02.17	2020.02.17	HORNG CHIH 鴻琪股份有限公司	