

FPC • FFC CONNECTOR

PITCH:0.5mm H:3.4mm

FPC17 SERIES

WITHOUT GROUND

- Rating: AC/DC50V 500mA
- Contact Resistance: 40mΩ Max.
- Insulation Resistance: 50Ω Min. at DC500V
- Dielectric Strength: AC250V for 1 Minute
- Pitch: 0.5mm
- Height: 3.4mm
- No. of Poles: 20~60 Poles
- Operating Temperature: -40 ~ +105°C
- Package: 1,500 Pcs/Reel

■ Features

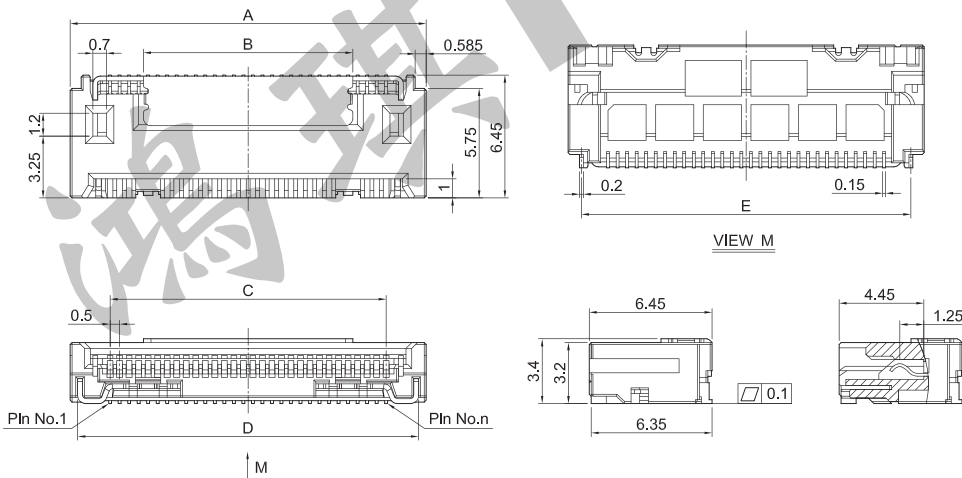
- Auto I-Lock
- High Speed to 25Gbps Transmission of Digital Signals
- Automation Robot Assembly Product

■ Application

- 5G Base Station
- Server Devices
- Robots
- ADAS



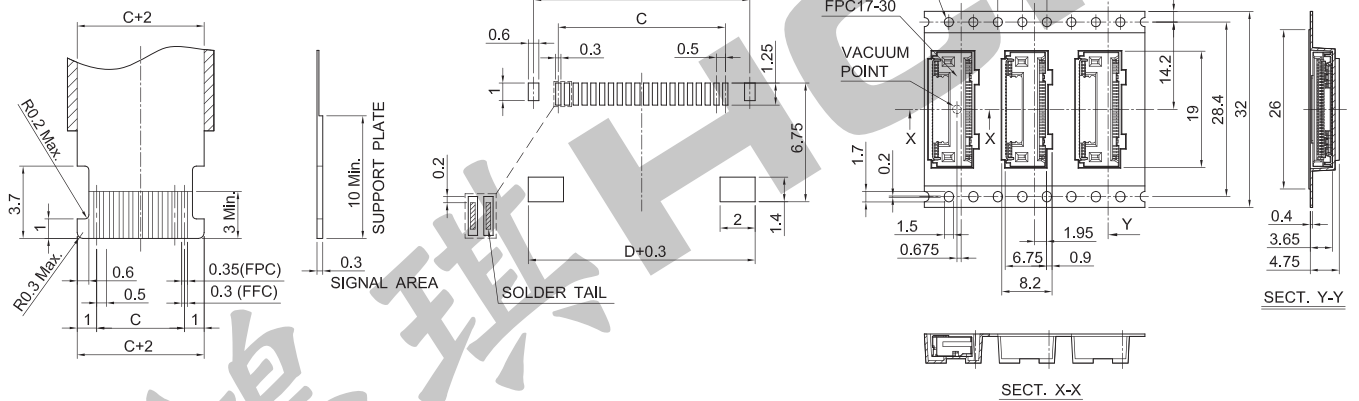
FPC17-□□



FPC • FFC Dimensions

Pad Layout

Taping Package



PARTS NO.	PIN	A	B	C	D	E	PARTS NO.	PIN	A	B	C	D	E
FPC17-20	20	13.7	6.0	9.5	12.9	12.3	FPC17-45	45	26.2	18.5	22.0	25.4	24.8
FPC17-25	25	16.2	8.5	12.0	15.4	14.8	FPC17-50	50	28.7	21.0	24.5	27.9	27.3
FPC17-30	30	18.7	11.0	14.5	17.9	17.3	FPC17-55	55	31.2	23.5	27.0	30.4	29.8
FPC17-35	35	21.2	13.5	17.0	20.4	19.8	FPC17-60	60	33.7	26.0	29.5	32.9	32.3
FPC17-40	40	23.7	16.0	19.5	22.9	22.3							