

FPC • FFC CONNECTOR

PITCH:0.5mm H:1.8mm

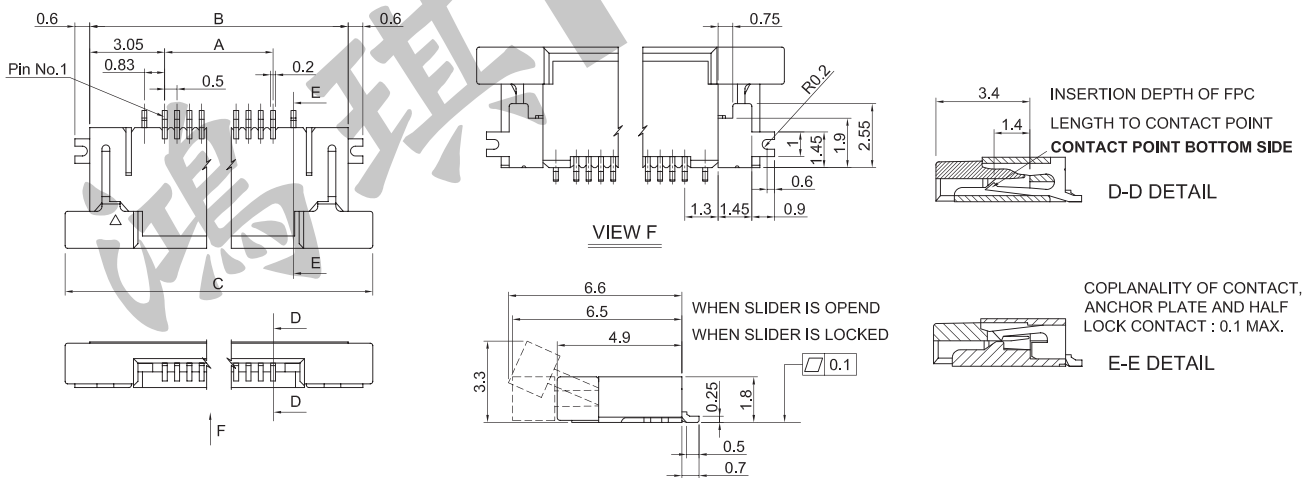
CONTACT POINT BOTTOM SIDE

FPC14 SERIES

- Rating: AC/DC50V 500mA
- Contact Resistance: 20mΩ Max.
- Insulation Resistance: 100Ω Min. at DC200V
- Dielectric Strength: AC250V for 1 Minute
- Pitch: 0.5mm
- Height: 1.8mm
- No. of Poles: 19~50 Poles
- Operating Temperature: -40 ~ +105°C
- Package: 3,000 Pcs/Reel



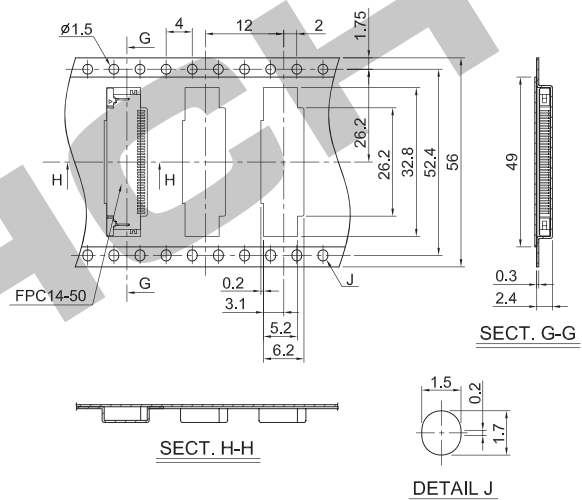
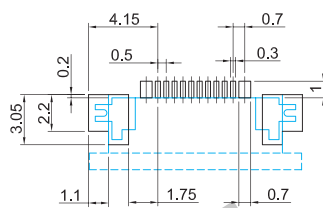
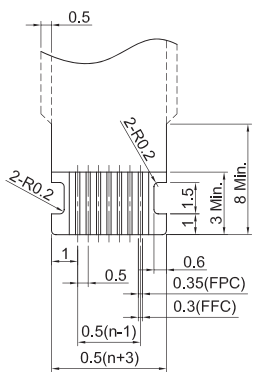
FPC14-□□



FPC • FFC Dimensions

Pad Layout

Taping Package



PARTS NO.	PIN	A	B	C	PARTS NO.	PIN	A	B	C	PARTS NO.	PIN	A	B	C	PARTS NO.	PIN	A	B	C
FPC14-19	19	9.0	15.1	17.1	FPC14-27	27	13.0	19.1	21.1	FPC14-35	35	17.0	23.1	25.1	FPC14-43	43	21.0	27.1	29.1
FPC14-20	20	9.5	15.6	17.6	FPC14-28	28	13.5	19.6	21.6	FPC14-36	36	17.5	23.6	25.6	FPC14-44	44	21.5	27.6	29.6
FPC14-21	21	10.0	16.1	18.1	FPC14-29	29	14.0	20.1	22.1	FPC14-37	37	18.0	24.1	26.1	FPC14-45	45	22.0	28.1	30.1
FPC14-22	22	10.5	16.6	18.6	FPC14-30	30	14.5	20.6	22.6	FPC14-38	38	18.5	24.6	26.6	FPC14-46	46	22.5	28.6	30.6
FPC14-23	23	11.0	17.1	19.1	FPC14-31	31	15.0	21.1	23.1	FPC14-39	39	19.0	25.1	27.1	FPC14-47	47	23.0	29.1	31.1
FPC14-24	24	11.5	17.6	19.6	FPC14-32	32	15.5	21.6	23.6	FPC14-40	40	19.5	25.6	27.6	FPC14-48	48	23.5	29.6	31.6
FPC14-25	25	12.0	18.1	20.1	FPC14-33	33	16.0	22.1	24.1	FPC14-41	41	20.0	26.1	28.1	FPC14-49	49	24.0	30.1	32.1
FPC14-26	26	12.5	18.6	20.6	FPC14-34	34	16.5	22.6	24.6	FPC14-42	42	20.5	26.6	28.6	FPC14-50	50	24.5	30.6	32.6