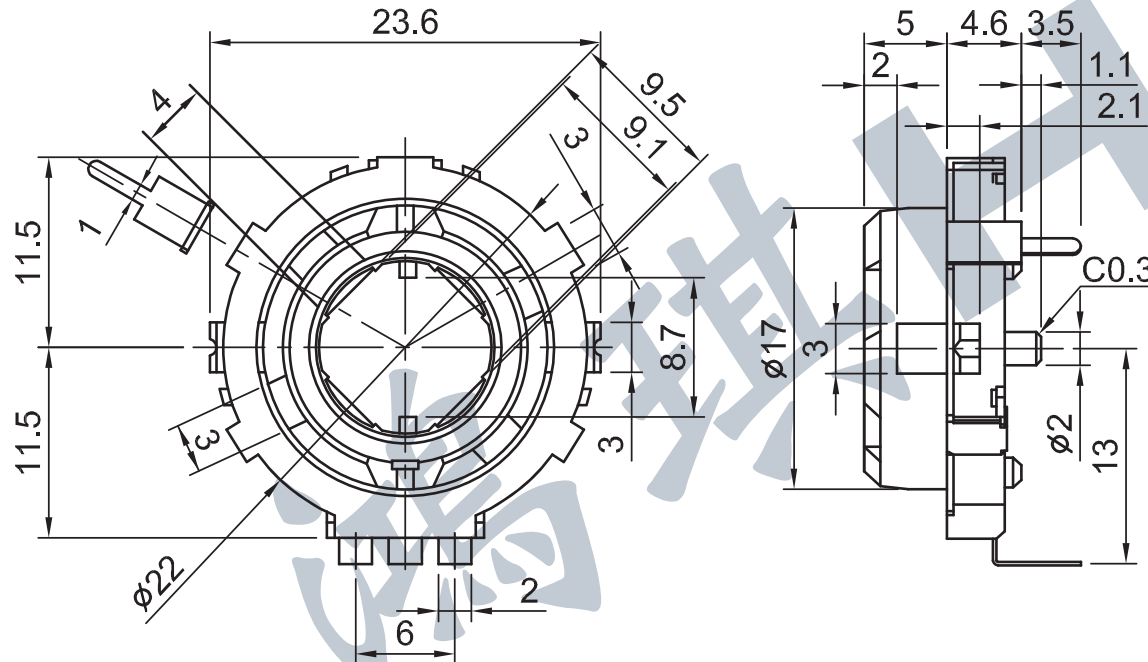
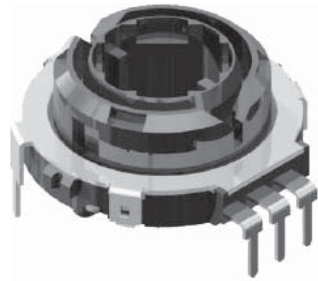


ENCODERS

EVR22V-05A 20 Position

- Rating: DC5V 10mA
- Detent Position and Angle: 20 Position (18°)
- Rotation Torque: 70±30gf • cm
- Life: 50,000 Cycles



Mounting Hole Layout

