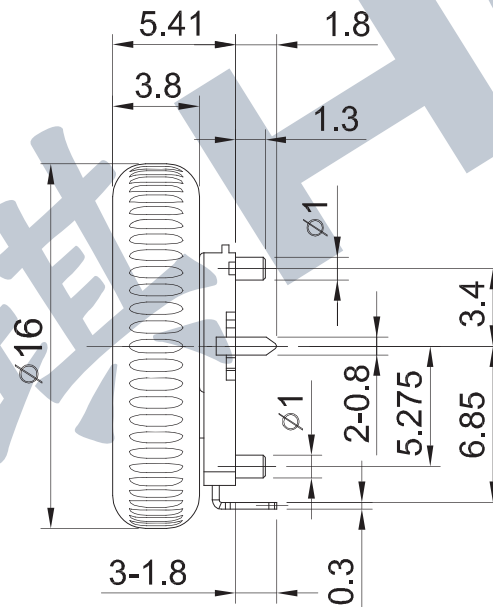
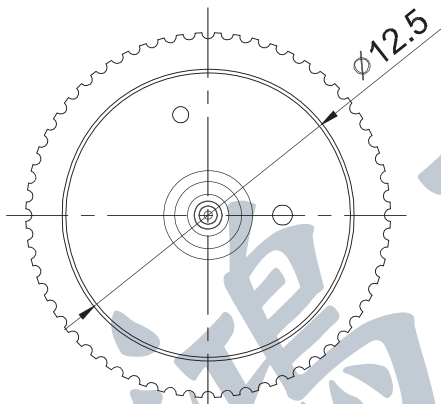


ENCODERS

EVR221-012 12 Position

- Rating: DC5V 0.5mA
- Total Rotation Angle: 360°(Endless)
- Rotation Torque:3~60gf • cm
- Life: 10,000 Cycles



Mounting Hole Layout

