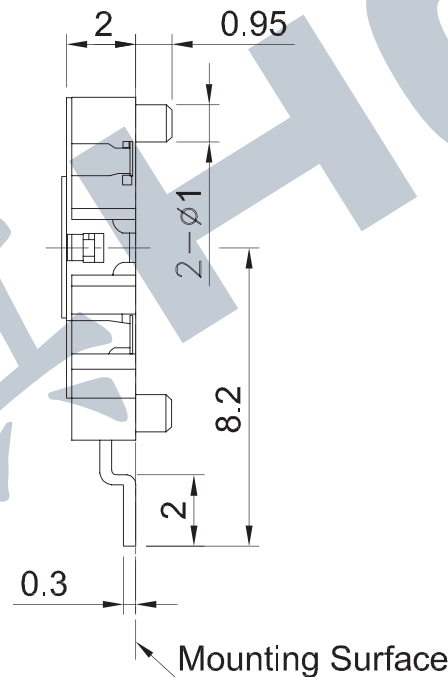
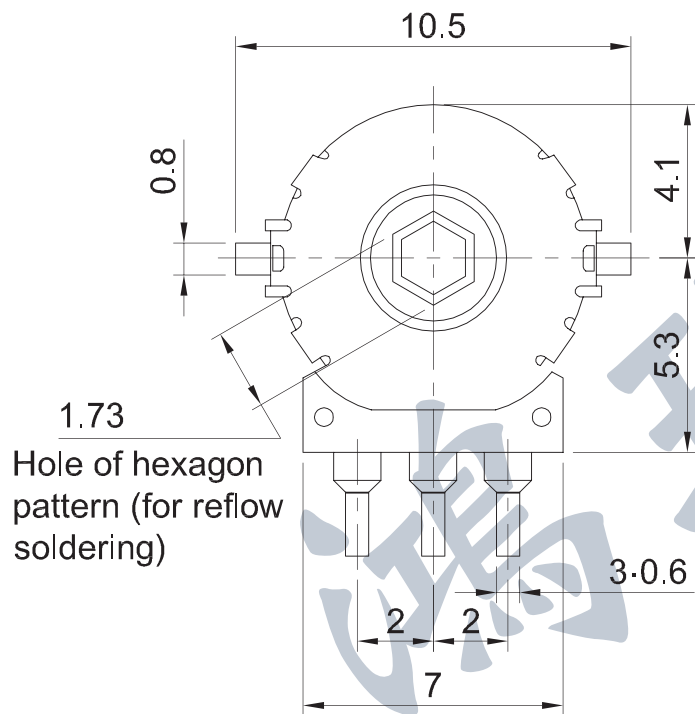
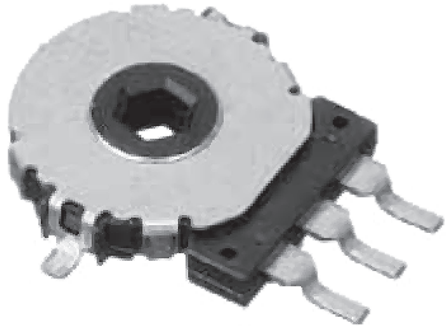


# ENCODERS

## EVR219-012 12 Position

- Rating: DC5V 0.5mA
- Total Rotation Angle: 360°(Endless)
- Rotation Torque: 3~60gf • cm
- Life: 10,000 Cycles



### Pad Layout

