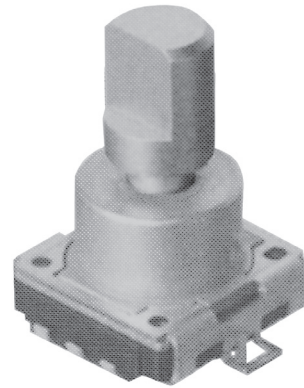


# ENCODERS

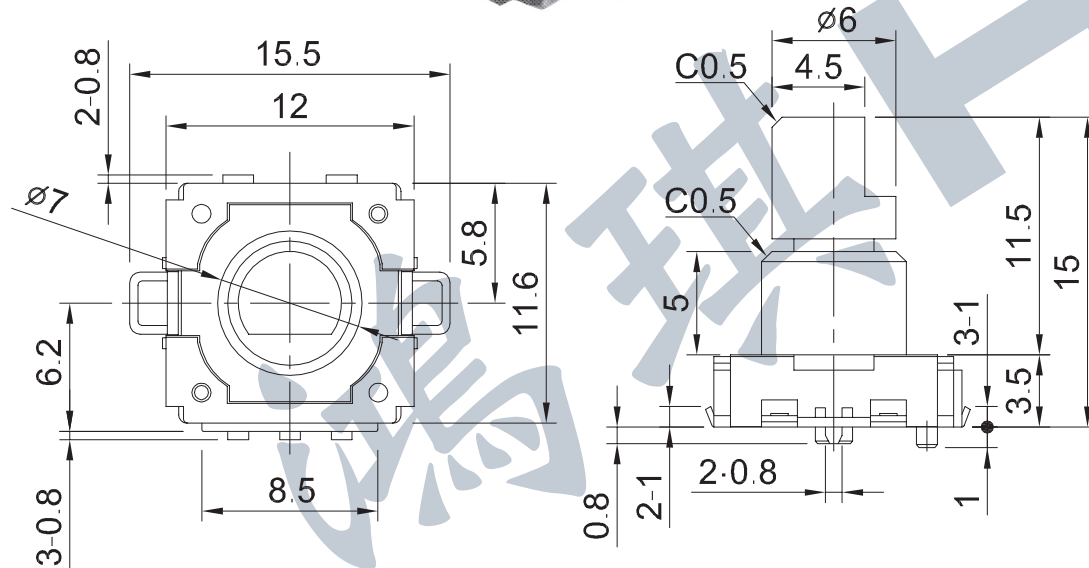
REFLOW TYPE

**EVR11K-04**

16, 24, 30, 32 Position



- Rating: DC10V 1mA
- Detent Position and Angle:  
16, 24, 30, 32 Position  
(22.5°, 15°, 12°, 11.25°)
- Rotation Torque: 30~200gf · cm
- Switch Rating: DC16V 20mA
- Switch Force:  
0.4mm Stroke: 300gf, 400gf, 600gf  
1.5mm Stroke: 400gf
- Switch Stroke: 0.4mm, 1.5mm
- Life: 30,000 Cycles



Pad Layout

