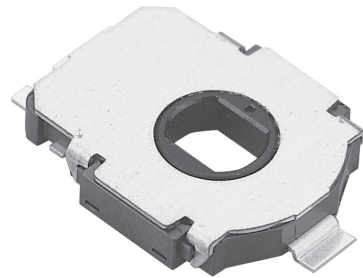


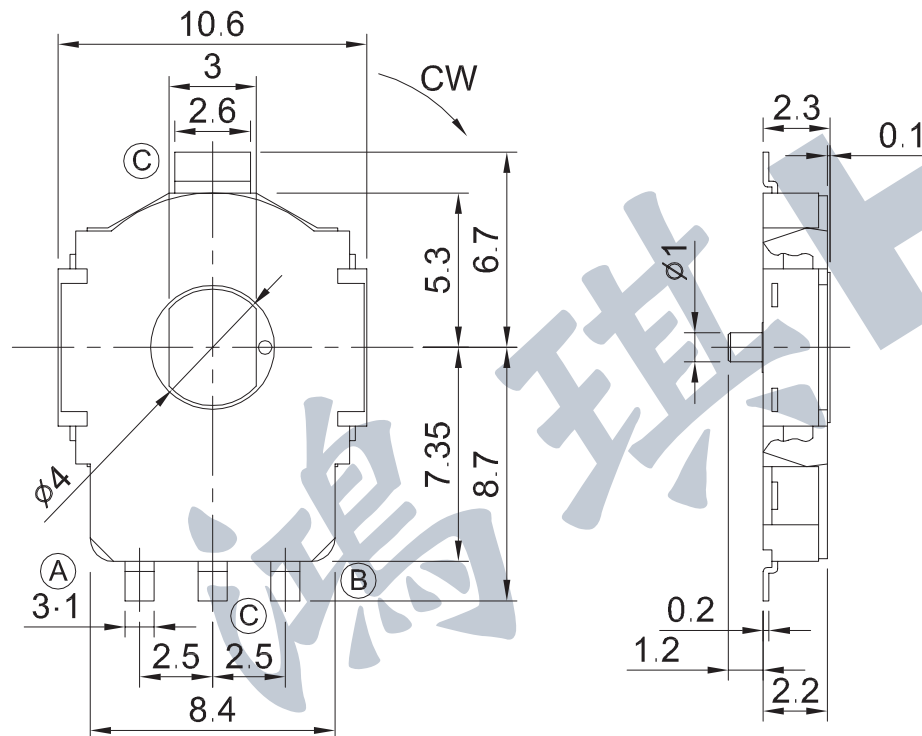
ENCODERS

EVR11K-02

WITHOUT DETENTS



- Rating: DC10V 1mA
- Detent Position and Angle: 3 Position (120°)
- Rotation Torque: 20gf · cm
- Life: 70,000 Cycles
- Package: 1,500 Pcs/Reel



Pad Layout

