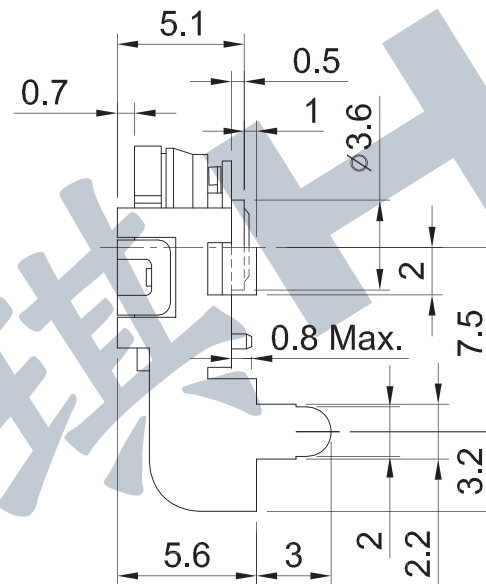
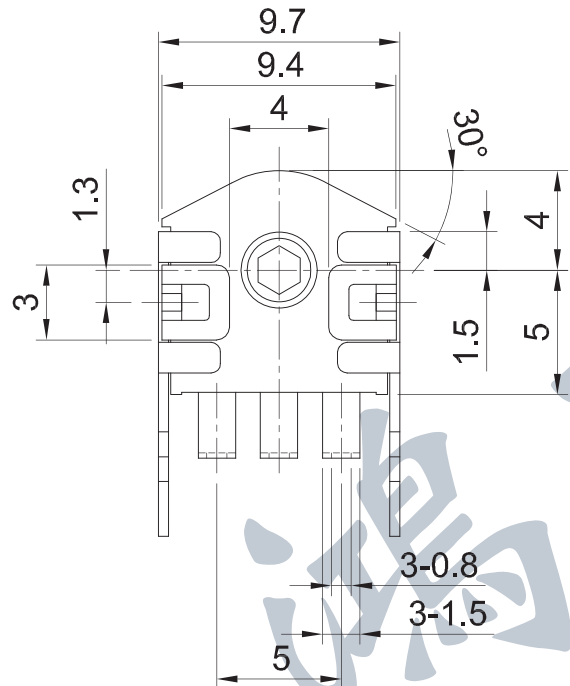


# ENCODERS

## EVR10V-01 24 Position



- Rating: DC5V 0.5mA
- Rotation Angle: 360°(Endless)
- Detent Position and Angle: 24 Position (15°)
- Rotation Torque: 30±20gf · cm
- Life: 100,000 Cycles



### Mounting Hole Layout

