

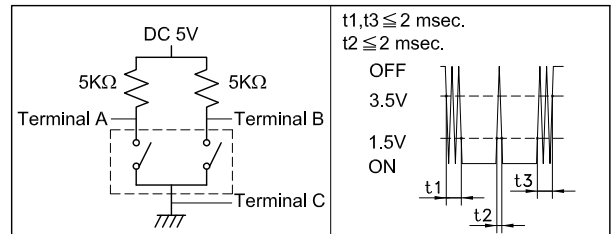
### SPECIFICATIONS

#### ELECTRICAL CHARACTERISTICS

- Rating (Rotary Switch Portion) : DC 5V 10mA  
(Push Switch Portion) : DC 5V 10mA
- Contact Resistance : 100m $\Omega$  Max.
- Insulation Resistance : 100M $\Omega$  Min.at DC 250V
- Dielectric Strength : AC 300V for 1 Minute
- Output Signal Format

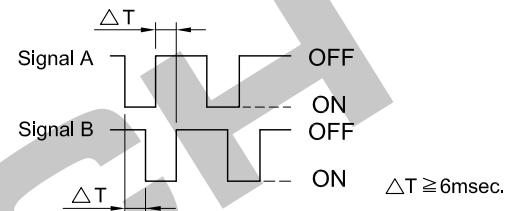
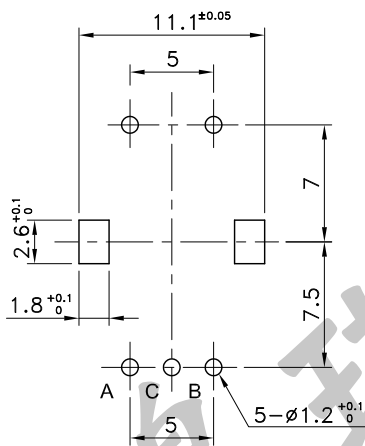
Shaft Rotational Direction	Signal	Output
C.W	A (Terminal A-C)	OFF ON
	B (Terminal B-C)	OFF ON
C.C.W	A (Terminal A-C)	OFF ON
	B (Terminal B-C)	OFF ON

- Resolution : 15 Pulses /360° for Each Phase  
(2 Click 1 Pulse)
- Chattering : Measurement Shall be Made Under the Condition as Follows.  
1) Shaft Rotational Speed :360° /Sec  
2) Test Circuit :



- Phase Difference : Measurement shall be made under the condition which the shaft is rotated in 360°/Sec (constant speed)

### P.C.B TERMINAL POSITION



- Operating Temperature Range : -40~+85°C
- Storage Temperature Range : -40~+85°C

#### MECHANICAL CHARACTERISTICS

- Rotational Angle : 360°(Endless)
- Position Detents : 30 Detents (12 $\pm$ 3° Step)
- Detent Torque : 115 $\pm$ 85 gf • cm
- Life (Rotary Switch Portion) : 15,000 Cycles  
(Push Switch Portion) : 20,000 Cycles
- Force : 600 $\pm$ 300 gf
- Stroke : 0.5<sup>+0.4</sup>/<sub>-0.3</sub> mm

REVISION:	DATE:	REVISION:	DATE:
UNIT:mm	THIRD ANGLE PROJECTION METHOD	TOL. UNLESS OTHERWISE STATED: $\pm 0.3$	CODE NO.: HCH-2561
ISSUED	CONFIRMED	PART NO.	
John	Elvis	EVR011VS-015C	
2024.08.26	2024.08.26	<b>HORNG CHIH</b> 鴻琪股份有限公司	