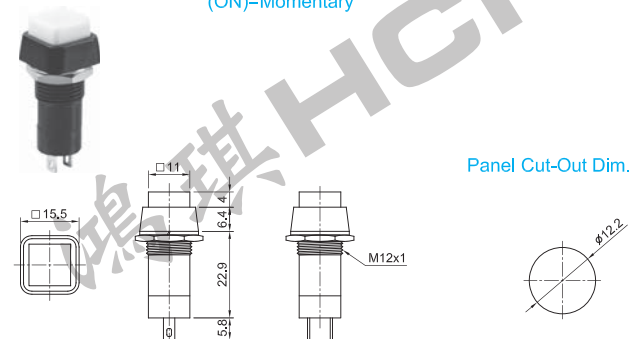


POWER SWITCHES

PUSH SWITCH
R13-23A SPDT OFF-(ON)
R13-23B SPDT OFF-(ON)
 (ON)=Momentary

- Rating: AC125V 3A
AC250V 1.5A
- Life: 10,000 Cycles

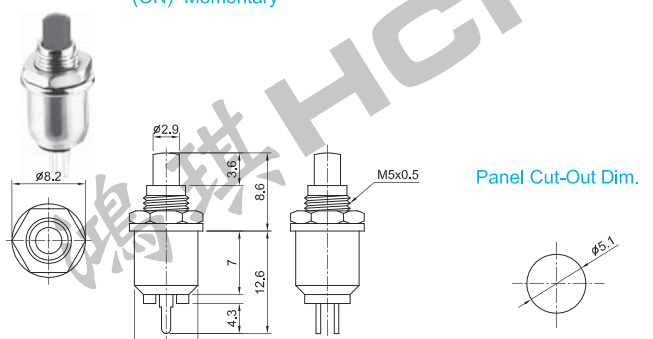


Panel Cut-Out Dim.

Panel Thickness: 4mm Max.

PUSH SWITCH
SPST
R13-81A OFF-(ON)
 (ON)=Momentary

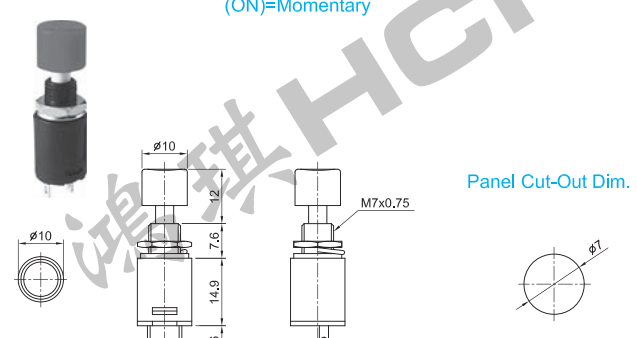
- Rating: AC125/250V 500mA
- Life: 10,000 Cycles



Panel Cut-Out Dim.

PUSH SWITCH
R13-512A SPST OFF-(ON)
R13-512B SPST OFF-(ON)
 (ON)=Momentary

- Rating: AC125V 3A
AC250V 1.5A
- Life: 10,000 Cycles

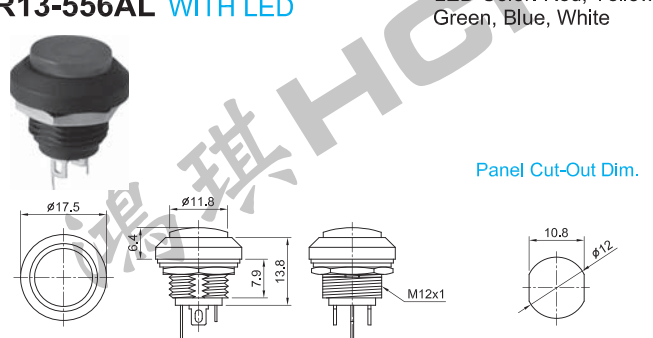


Panel Cut-Out Dim.

Panel Thickness: 4mm Max.

PUSH SWITCH
SPST OFF-(ON) (ON)=Momentary
R13-556A WITHOUT LED
R13-556AL WITH LED

- Rating: AC32V 400mA
AC125V 125mA
- Life: 10,000 Cycles
- LED Color: Red, Yellow, Green, Blue, White

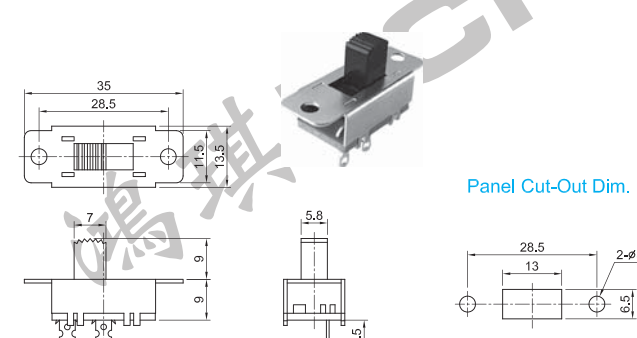


Panel Cut-Out Dim.

Panel Thickness: 1.5~4mm Max.

SLIDE SWITCH
R13-602A SPST ON-OFF
R13-602B DPDT ON-ON

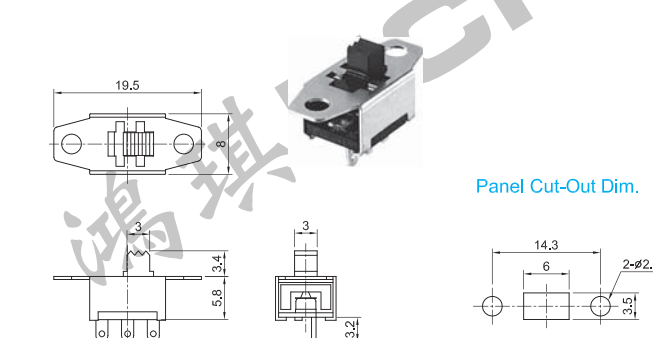
- Rating: AC125V 6A
AC250V 3A
- Life: 10,000 Cycles



Panel Cut-Out Dim.

SLIDE SWITCH
SPDT
R13-603C ON-ON

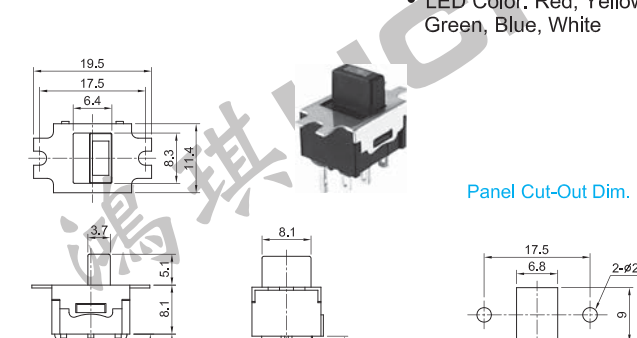
- Rating: AC125V 3A
AC250V 1.5A
- Life: 10,000 Cycles



Panel Cut-Out Dim.

SLIDE SWITCH WITH LED
R13-604C SPDT ON-ON

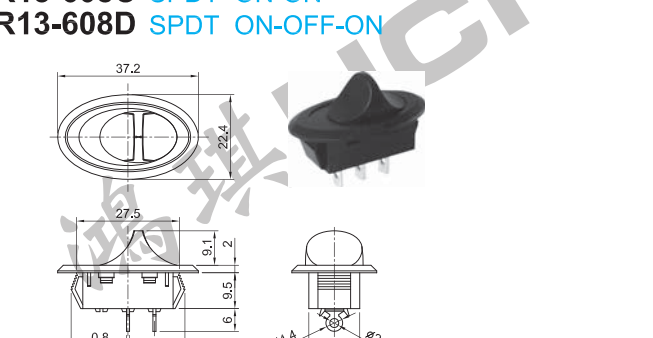
- Rating: AC125V 6A
AC250V 3A
- Life: 10,000 Cycles
- LED Color: Red, Yellow, Green, Blue, White



Panel Cut-Out Dim.

SLIDE SWITCH
R13-608A SPST ON-OFF
R13-608C SPDT ON-ON
R13-608D SPDT ON-OFF-ON

- Rating: AC125V 16A 1/3HP
AC250V 10A 1/2HP
- Life: 10,000 Cycles



Panel Cut-Out Dim.