


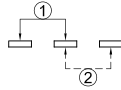
# SLIDE SWITCHES

**HSS101 1P2T**

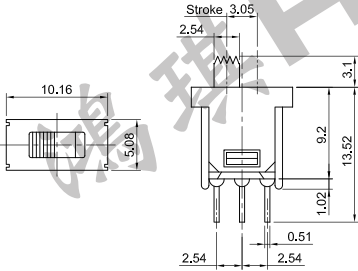
- Rating: AC120V/DC28V 3A  
AC250V 1A
- Stroke: 3.05mm
- Force: 250±100gf
- Life: 30,000 Cycles



**Circuit**




**Mounting Hole Layout**

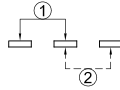


**HSS104 1P2T**

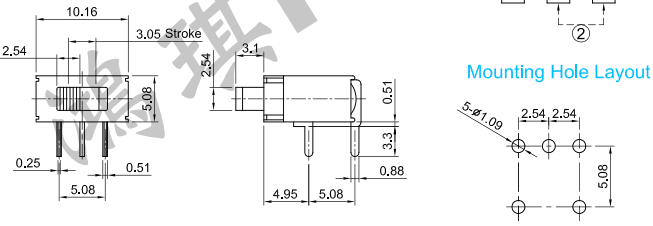
- Rating: AC120V/DC28V 3A  
AC250V 1A
- Stroke: 3.05mm
- Force: 250±100gf
- Life: 30,000 Cycles



**Circuit**




**Mounting Hole Layout**

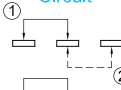


**HSS201 2P2T**

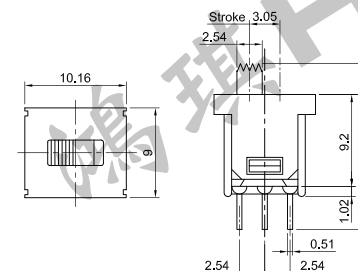
- Rating: AC120V/DC28V 3A  
AC250V 1A
- Stroke: 3.05mm
- Force: 250±100gf
- Life: 30,000 Cycles



**Circuit**




**Mounting Hole Layout**

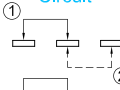


**HSS204 2P2T**

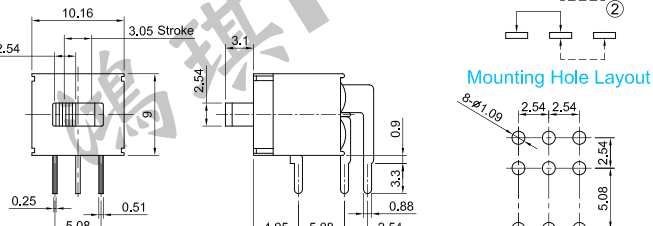
- Rating: AC120V/DC28V 3A  
AC250V 1A
- Stroke: 3.05mm
- Force: 250±100gf
- Life: 30,000 Cycles



**Circuit**

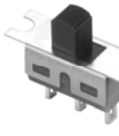


**Mounting Hole Layout**

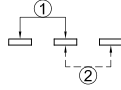


**KSS101 1P2T**

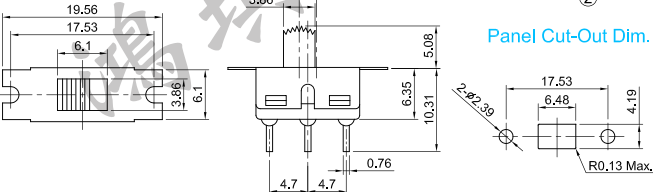
- Rating: AC120V/DC28V 5A  
AC250V 2A
- Stroke: 2.16mm
- Force: 300±100gf
- Life: 30,000 Cycles



**Circuit**




**Panel Cut-Out Dim.**

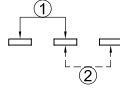


**KSS104 1P2T**

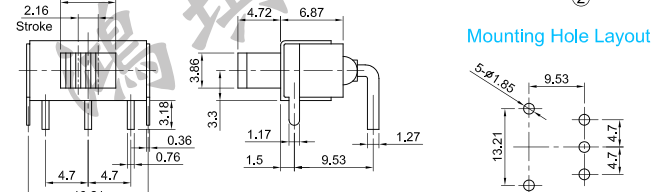
- Rating: AC120V/DC28V 5A  
AC250V 2A
- Stroke: 2.16mm
- Force: 300±100gf
- Life: 30,000 Cycles



**Circuit**




**Mounting Hole Layout**

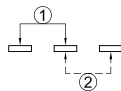


**KSS106 1P2T**

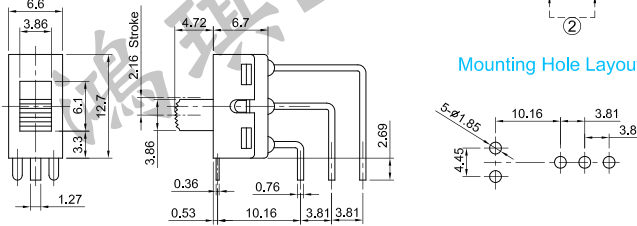
- Rating: AC120V/DC28V 5A  
AC250V 2A
- Stroke: 2.16mm
- Force: 300±100gf
- Life: 30,000 Cycles



**Circuit**




**Mounting Hole Layout**

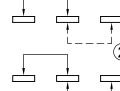


**KSS201 2P2T**

- Rating: AC120V/DC28V 5A  
AC250V 2A
- Stroke: 2.16mm
- Force: 300±100gf
- Life: 30,000 Cycles



**Circuit**



**Panel Cut-Out Dim.**

