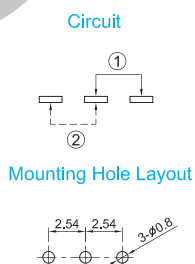
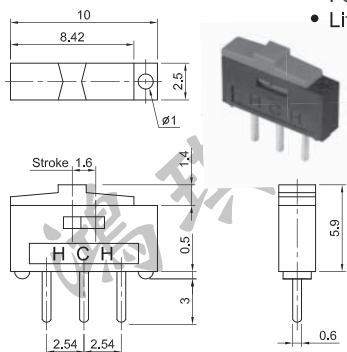


SLIDE SWITCHES

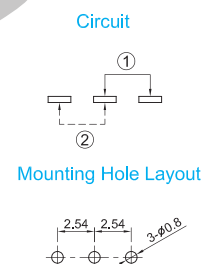
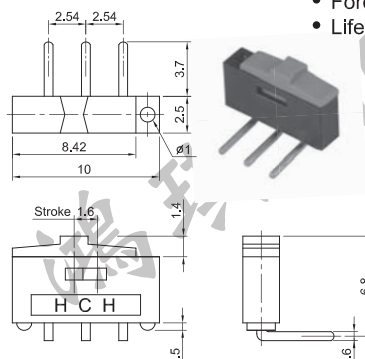
AUTO DIP TYPE SSS-1212 1P2T

- Rating: DC12V 500mA ~ DC24V 300mA
- Stroke: 1.6mm
- Force: 250±150gf
- Life: 2,000 Cycles (with load)
10,000 Cycles (without load)



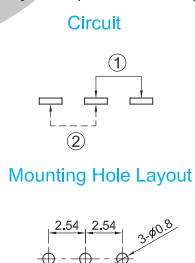
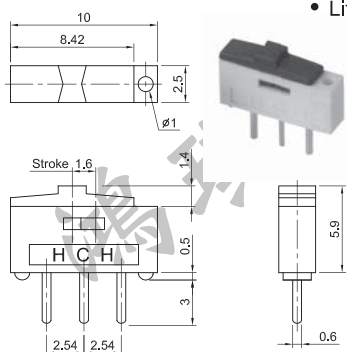
AUTO DIP TYPE SST-1223 1P2T

- Rating: DC12V 500mA ~ DC24V 300mA
- Stroke: 1.6mm
- Force: 250±150gf
- Life: 2,000 Cycles (with load)
10,000 Cycles (without load)



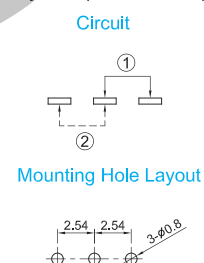
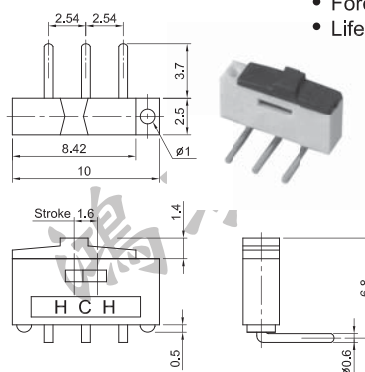
REFLOW TYPE SSS-1230 1P2T

- Rating: DC12V 500mA ~ DC24V 300mA
- Stroke: 1.6mm
- Force: 250±150gf
- Life: 2,000 Cycles (with load)
10,000 Cycles (without load)



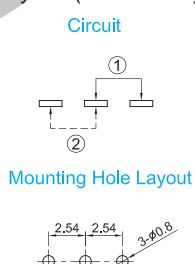
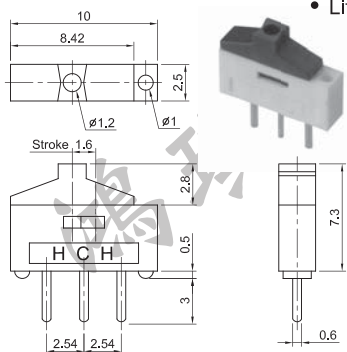
REFLOW TYPE SST-1240 1P2T

- Rating: DC12V 500mA ~ DC24V 300mA
- Stroke: 1.6mm
- Force: 250±150gf
- Life: 2,000 Cycles (with load)
10,000 Cycles (without load)



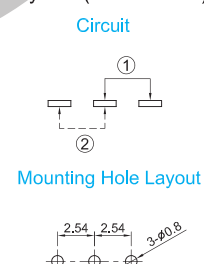
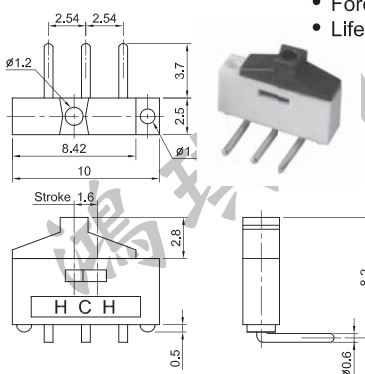
REFLOW TYPE SSS-1235 1P2T

- Rating: DC12V 500mA ~ DC24V 300mA
- Stroke: 1.6mm
- Force: 250±150gf
- Life: 2,000 Cycles (with load)
10,000 Cycles (without load)



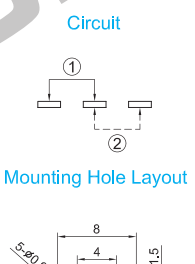
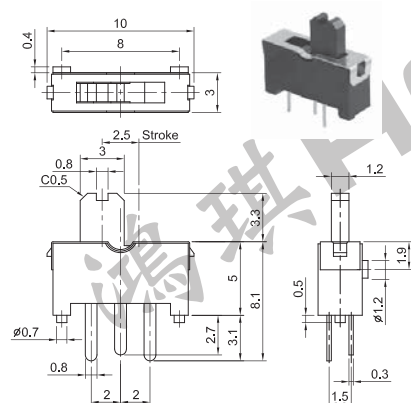
REFLOW TYPE SST-1243 1P2T

- Rating: DC12V 500mA ~ DC24V 300mA
- Stroke: 1.6mm
- Force: 250±150gf
- Life: 2,000 Cycles (with load)
10,000 Cycles (without load)



SSS-1236 1P2T

- Rating: DC12V 300mA
- Stroke: 2.5mm
- Force: 300±100gf
- Life: 5,000 Cycles



REFLOW TYPE 2P2T

SSS-2235 SSS-2236 GOLD PLATING

- Rating: DC12V 200mA ~ DC6V 300mA
- Stroke: 2.0mm
- Force: 150±100gf
- Life: 10,000 Cycles

