
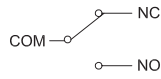
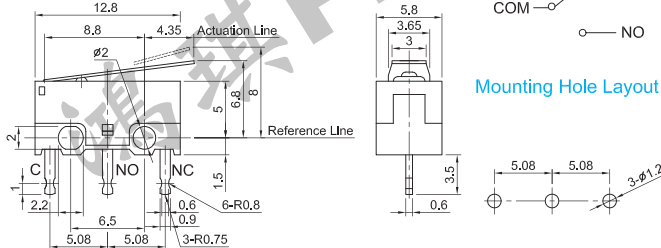

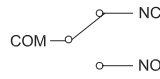
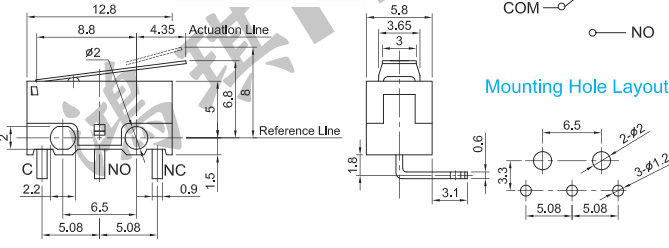

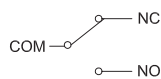
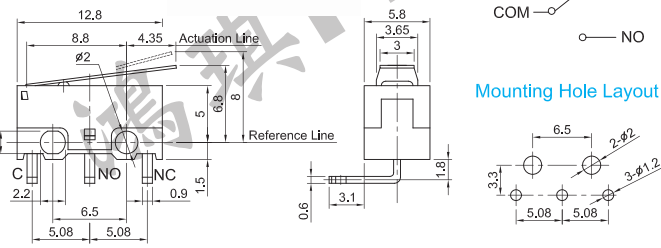

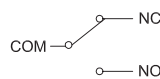
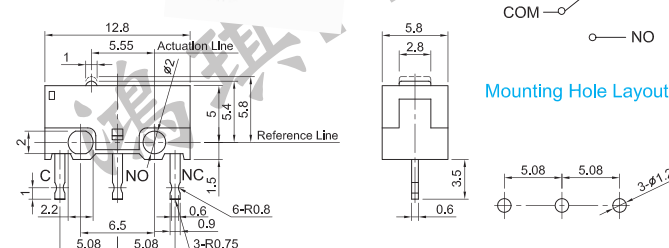

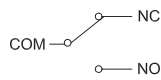
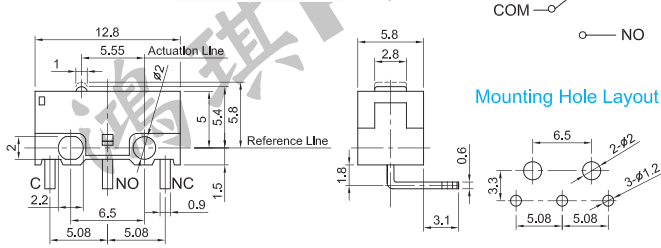

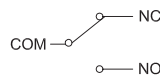
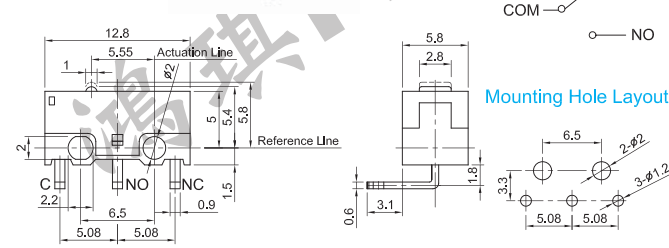

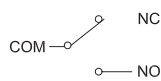
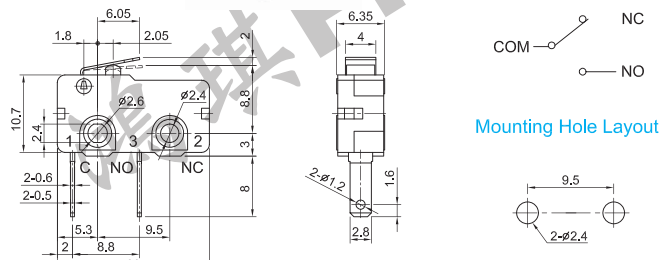

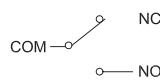


# MICRO SWITCHES

<p><b>TXJ1-S102</b></p> <ul style="list-style-type: none"> <li>• Rating: AC125V 3A DC30V 2A</li> <li>• Force: 50gf</li> <li>• Life: 1,000,000 Cycles</li> </ul>  <p><b>Circuit</b></p>  <p><b>Mounting Hole Layout</b></p> 	<p><b>TXJ1-S112</b></p> <ul style="list-style-type: none"> <li>• Rating: AC125V 3A DC30V 2A</li> <li>• Force: 50gf</li> <li>• Life: 1,000,000 Cycles</li> </ul>  <p><b>Circuit</b></p>  <p><b>Mounting Hole Layout</b></p> 
<p><b>TXJ1-S122</b></p> <ul style="list-style-type: none"> <li>• Rating: AC125V 3A DC30V 2A</li> <li>• Force: 50gf</li> <li>• Life: 1,000,000 Cycles</li> </ul>  <p><b>Circuit</b></p>  <p><b>Mounting Hole Layout</b></p> 	<p><b>TXJ1-L002</b></p> <ul style="list-style-type: none"> <li>• Rating: AC125V 1A DC30V 500mA</li> <li>• Force: 75gf</li> <li>• Life: 1,000,000 Cycles</li> </ul>  <p><b>Circuit</b></p>  <p><b>Mounting Hole Layout</b></p> 
<p><b>TXJ1-L012</b></p> <ul style="list-style-type: none"> <li>• Rating: AC125V 1A DC30V 500mA</li> <li>• Force: 75gf</li> <li>• Life: 1,000,000 Cycles</li> </ul>  <p><b>Circuit</b></p>  <p><b>Mounting Hole Layout</b></p> 	<p><b>TXJ1-L022</b></p> <ul style="list-style-type: none"> <li>• Rating: AC125V 1A DC30V 500mA</li> <li>• Force: 75gf</li> <li>• Life: 1,000,000 Cycles</li> </ul>  <p><b>Circuit</b></p>  <p><b>Mounting Hole Layout</b></p> 
<p><b>MQS-16CDFS</b></p> <ul style="list-style-type: none"> <li>• Rating: AC125/250V 100mA (ENEC, CQC)</li> <li>• Force: 125±30gf</li> <li>• Life: 50,000 Cycles</li> </ul>  <p><b>Circuit</b></p>  <p><b>Mounting Hole Layout</b></p> 	<p><b>MQS-17CAFP</b></p> <ul style="list-style-type: none"> <li>• Rating: AC125/250V 100mA (ENEC, CQC)</li> <li>• Force: 30±12gf</li> <li>• Life: 50,000 Cycles</li> </ul>  <p><b>Circuit</b></p>  <p><b>Mounting Hole Layout</b></p> 