

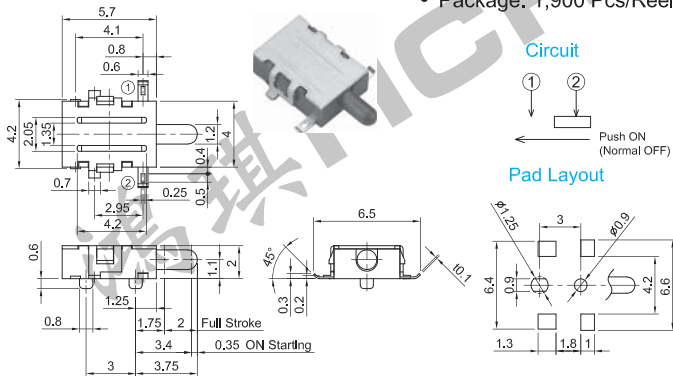
SENSOR SWITCHES

PUSH ON TYPE & WITH TAB

CLS-050

CLS-060 GOLD PLATING

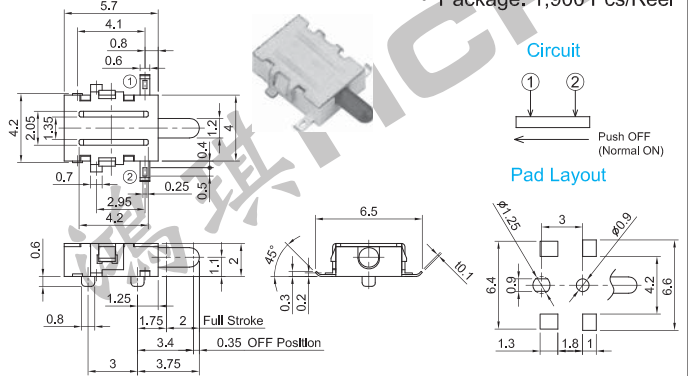
- Rating: DC12V 100mA
- Force: 100gf Max.
- Life: 50,000 Cycles
- Package: 1,900 Pcs/Reel



PUSH OFF TYPE

CLS-051 WITH TAB

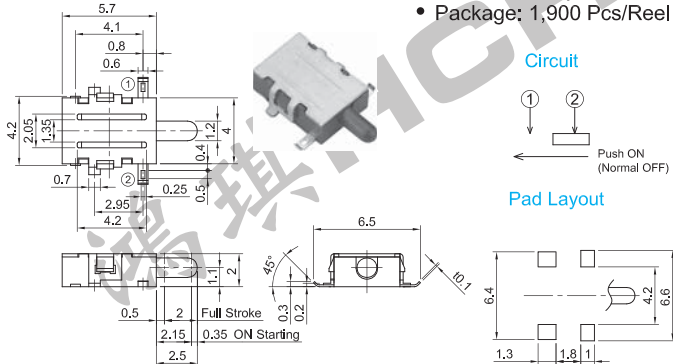
- Rating: DC12V 100mA
- Force: 100gf Max.
- Life: 50,000 Cycles
- Package: 1,900 Pcs/Reel



PUSH ON TYPE

CLS-052 WITHOUT TAB

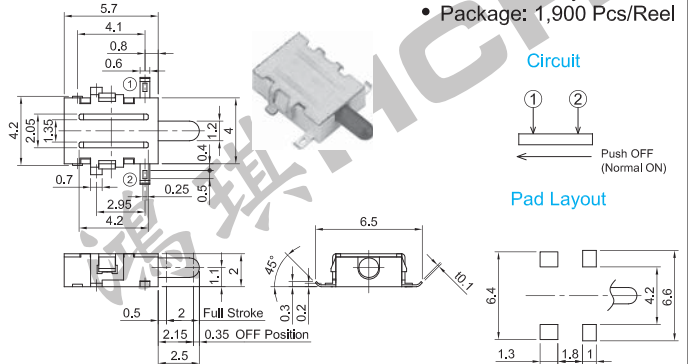
- Rating: DC12V 100mA
- Force: 100gf Max.
- Life: 50,000 Cycles
- Package: 1,900 Pcs/Reel



PUSH OFF TYPE

CLS-053 WITHOUT TAB

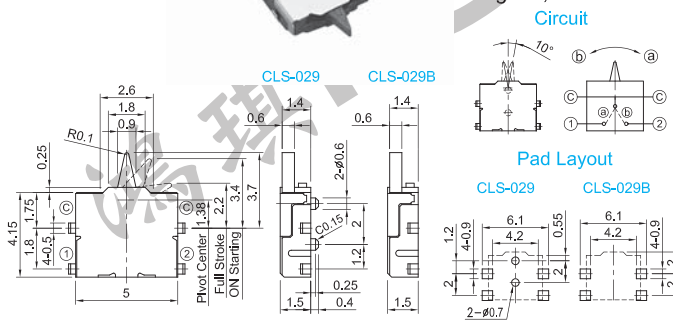
- Rating: DC12V 100mA
- Force: 100gf Max.
- Life: 50,000 Cycles
- Package: 1,900 Pcs/Reel



CLS-029 WITH TAB

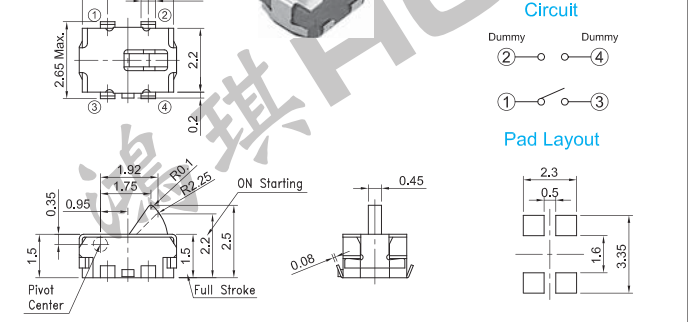
CLS-029B WITHOUT TAB

- Rating: DC3V 50µA ~ DC5V 10mA
- Force: 30gf Max.
- Circuit: 1P2T
- Life: 50,000 Cycles
- Package: 4,000 Pcs/Reel



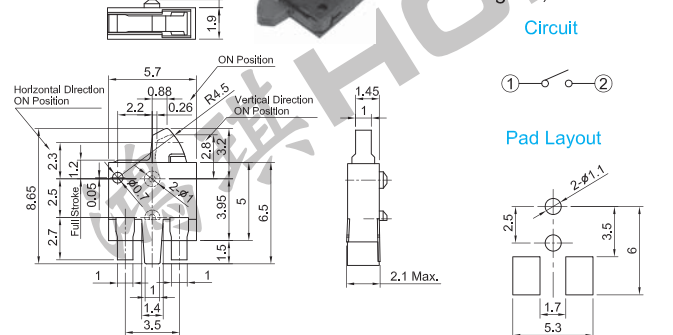
CLS-212 H=2.5mm

- Rating: DC3V 50µA ~ DC5V 10mA
- Force: 25gf Max.
- Life: 50,000 Cycles
- Package: 3,500 Pcs/Reel



CLS-070C

- Rating: DC3V 50µA ~ DC5V 10mA
- Force: 30gf Max.
- Life: 50,000 Cycles
- Package: 4,000 Pcs/Reel



CLS-071C

- Rating: DC3V 50µA ~ DC5V 10mA
- Force: 30gf Max.
- Life: 50,000 Cycles
- Package: 4,000 Pcs/Reel

