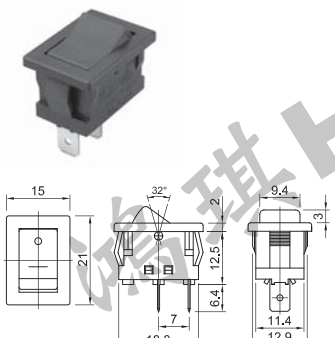


ROCKER SWITCHES

DUST PROOF
SLE6A2 SPST ON-OFF

- Rating: AC125V 6A
AC250V 4A
- Force: 0.25~1.3kgf
- Life: 10,000 Cycles
- Approval: UL, CSA, VDE, SEMKO



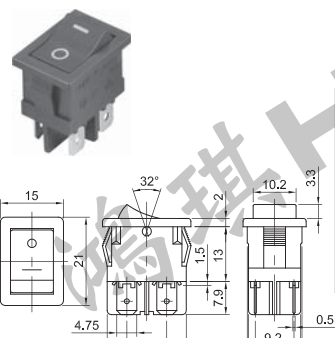
Switching Function	Rating Marking Side			
POLES	SPST	SPST	SPST	SPST
ON-OFF	SLE6A2	SLE6A2-5	SLE6A2-6	SLE6A2-7

Panel Mounting Hole

Thickness of Mounting Board	C
0.75~1.25	19.2mm
1.25~3.5	19.4mm

SL10K2 DPST ON-OFF

- Rating: AC125V 10A
AC250V 6A
- Inrush Current: 100A
- Force: 0.4~1.3kgf
- Life: 20,000 Cycles
- Approval: UL, CSA, VDE



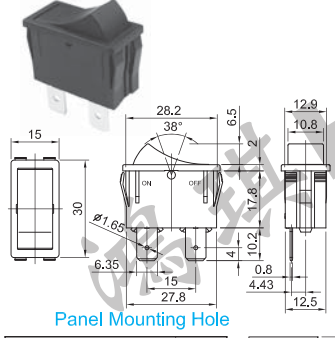
Switching Function	Rating Marking Side			
POLES	DPST	DPST	DPST	DPST
ON-OFF	SL10K2-5	SL10K2-6	SL10K2-7	SL10K2-9

Panel Mounting Hole

Thickness of Mounting Board	C
0.75~1.25	19.2mm
1.25~3.5	19.4mm

HIGH IN RUSH & DUST PROOF
CF-LA-1A2Z SPST ON-OFF

- Rating: AC125V 16A
AC250V 16A
- In Rush: 160A Max.
- Life: 20,000 Cycles
- Approval: UL(TV-8), C-US UL, ENEC



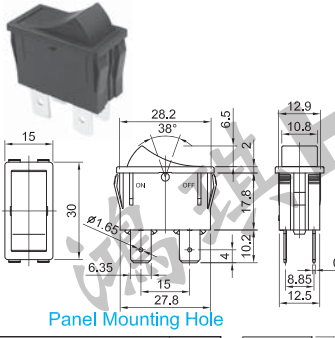
Switching Function	Rating Marking Side		
POLES	SPST	SPST	SPST
ON-OFF	CF-LA-1A2Z-1	CF-LA-1A2Z-2	CF-LA-1A2Z-3

Panel Mounting Hole

Thickness of Mounting Board	C
0.75 ~ 1.25mm	28.2mm
1.25 ~ 2mm	28.4mm
2 ~ 3mm	28.6mm

HIGH IN RUSH & DUST PROOF
CF-LA-2KZ2 DPST ON-OFF

- Rating: AC125V 16A
AC250V 16A
- In Rush: 160A Max.
- Life: 20,000 Cycles
- Approval: UL(TV-8), C-US UL, ENEC



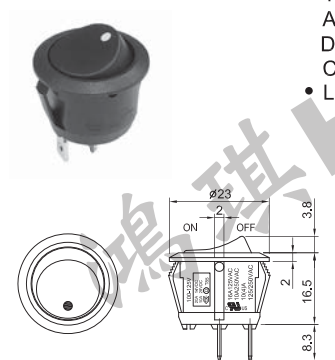
Switching Function	Rating Marking Side		
POLES	DPST	DPST	DPST
ON-OFF	CF-LA-2KZ2-1	CF-LA-2KZ2-2	CF-LA-2KZ2-3

Panel Mounting Hole

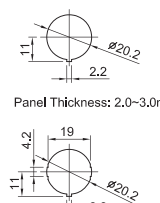
Thickness of Mounting Board	C
0.75 ~ 1.25mm	28.2mm
1.25 ~ 2mm	28.4mm
2 ~ 3mm	28.6mm

SPST
R13-112AB2 ON-OFF

- Rating: cULus: AC125V 16A / AC250V 10A
T85 cULus / DEMKO / ENEC;
AC125/250V 10(4)A / DC14V 20A / DC28V 10A
CQC T85: AC125V 10A / AC250V 6A
- Life: 10,000 Cycles



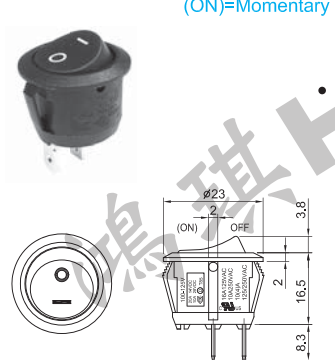
Panel Cut-Out Dim.



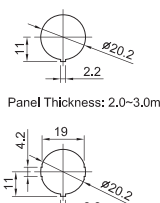
Panel Thickness: 2.0~3.0mm

SPST
R13-112FB4 (ON)-OFF
(ON)=Momentary

- Rating: cULus: AC125V 16A / AC250V 10A
T85 cULus / DEMKO / ENEC;
AC125/250V 10(4)A / DC14V 20A / DC28V 10A
CQC T85: AC125V 10A / AC250V 6A
- Life: 10,000 Cycles



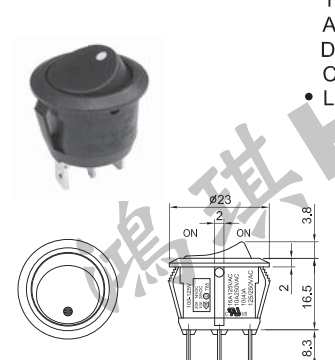
Panel Cut-Out Dim.



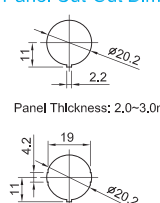
Panel Thickness: 2.0~3.0mm

SPDT
R13-112CB2 ON-ON

- Rating: cULus: AC125V 16A / AC250V 10A
T85 cULus / DEMKO / ENEC;
AC125/250V 10(4)A / DC14V 20A / DC28V 10A
CQC T85: AC125V 10A / AC250V 6A
- Life: 10,000 Cycles



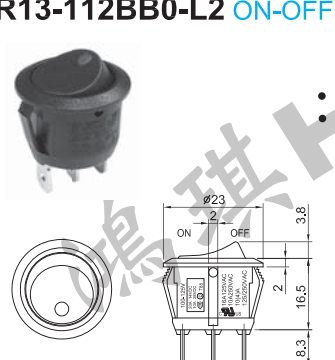
Panel Cut-Out Dim.



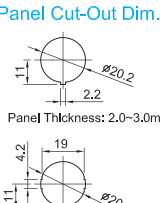
Panel Thickness: 2.0~3.0mm

WITH ILLUMINATION
SPST
R13-112BB0-L2 ON-OFF

- Rating: cULus: AC125V 16A / AC250V 10A
T85 cULus / DEMKO / ENEC;
AC125/250V 10(4)A / DC14V 20A / DC28V 10A
CQC T85: AC125V 10A / AC250V 6A
- Life: 10,000 Cycles
- Lamp color: Red



Panel Cut-Out Dim.



Panel Thickness: 2.0~3.0mm