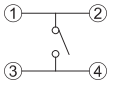


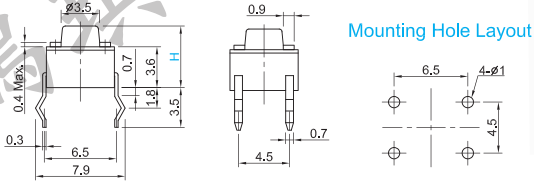
# TACTILE PUSH SWITCHES

**PT-002-A1** H=4.3mm (6X6mm) • Rating: DC12V 50mA  
**PT-002-B1** H=5.0mm • Stroke: 0.25mm  
**PT-002-D1** H=7.0mm • Force: 160±50gf  
**PT-002-E1** H=9.5mm • Life: 100,000 Cycles  
**PT-002-F1** H=13.0mm  
**PT-002-H1** H=6.0mm

**Circuit**



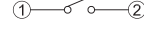
**Mounting Hole Layout**



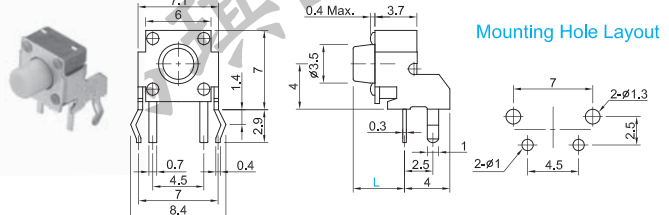
**REFLOW TYPE**

**HDK632R-ST** L=3.15mm • Rating: DC24V 50mA  
**HDK632AR-ST** L=3.85mm • Stroke: 0.25mm  
**HDK632BR-ST** L=5.85mm • Force: 160±50gf  
**HDK632CR-ST** L=6.85mm • Life: 100,000 Cycles  
**HDK632DR-ST** L=8.35mm  
**HDK632ER-ST** L=11.85mm  
**HDK632FR-ST** L=15.85mm

**Circuit**



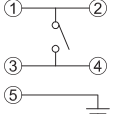
**Mounting Hole Layout**



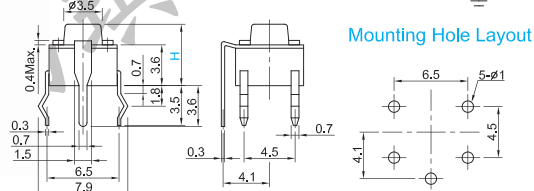
**GROUND TERMINAL TYPE**

**PT-002-A2** H=4.3mm (6X6mm) • Rating: DC12V 50mA  
**PT-002-B2** H=5.0mm • Stroke: 0.25mm  
**PT-002-D2** H=7.0mm • Force: 160±50gf  
**PT-002-E2** H=9.5mm • Life: 100,000 Cycles  
**PT-002-F2** H=13.0mm  
**PT-002-H2** H=6.0mm

**Circuit**



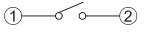
**Mounting Hole Layout**



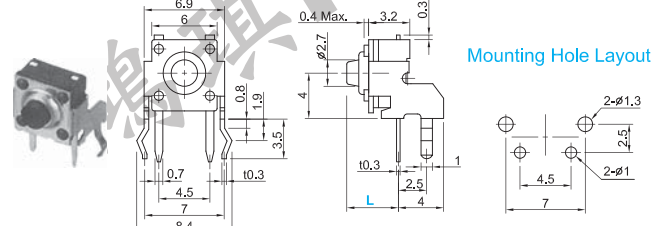
**SEALED TYPE**

**HDK634AR** L=3.85mm • Rating: DC12V 50mA  
**HDK634CR** L=6.85mm • Stroke: 0.35mm  
 • Force: 160±50gf  
 • Life: 100,000 Cycles

**Circuit**

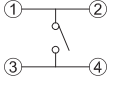


**Mounting Hole Layout**

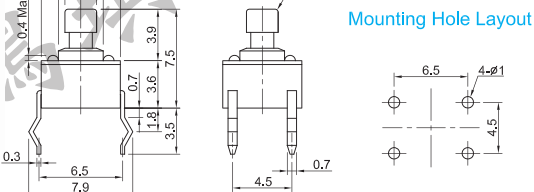


**PT-002-C1** H=7.5mm • Rating: DC12V 50mA  
 • Stroke: 0.25mm  
 • Force: 160±50gf  
 • Life: 100,000 Cycles

**Circuit**



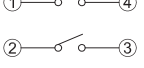
**Mounting Hole Layout**



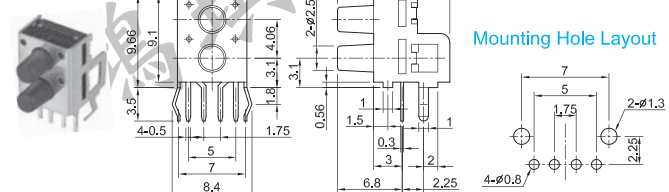
**REFLOW TYPE**

**HDK637** L=6.8mm • Rating: DC12V 100mA  
 • Stroke: 0.25mm  
 • Force: 180±50gf  
 • Life: 100,000 Cycles

**Circuit**



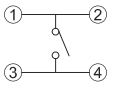
**Mounting Hole Layout**



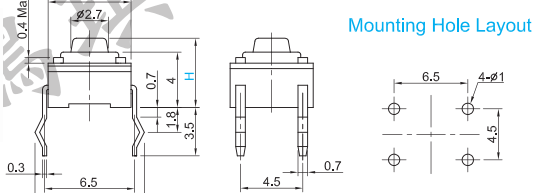
**SEALED TYPE**

**PT-011-B1** H=5.0mm • Rating: DC12V 50mA  
**PT-011-C1** H=6.9mm • Stroke: 0.35mm  
**PT-011-E1** H=9.5mm • Force: 160±50gf  
**PT-011-J1** H=8.0mm • Life: 100,000 Cycles

**Circuit**



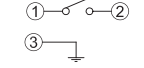
**Mounting Hole Layout**



**GROUND TERMINAL TYPE**

**HDK638** L=3.8mm 750Pcs/Bag • Rating: DC12V 50mA  
**HDK638C** L=7.0mm 500Pcs/Reel • Stroke: 0.2mm  
 • Force: 160±50gf  
 • Life: 100,000 Cycles

**Circuit**



**Mounting Hole Layout**

