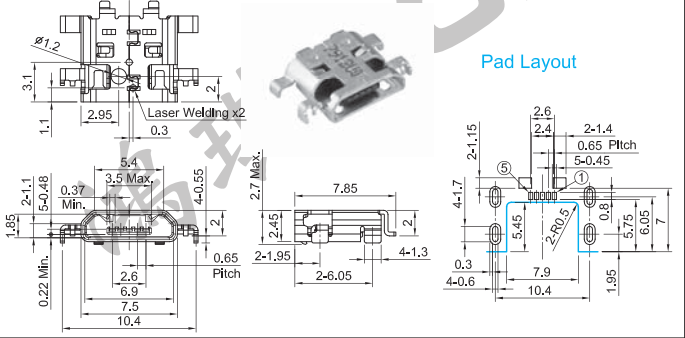


USB & D-SUB CONNECTORS

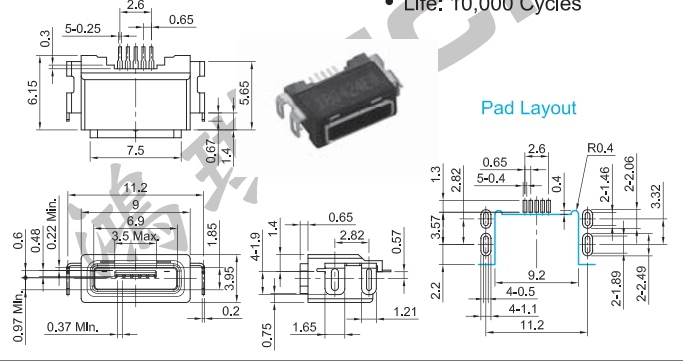
MICRO USB TYPE MUSB-849CB

- Rating: AC/DC5V 1A (Pin 2,3,4)
AC/DC5V 1.8A (Pin 1,5)
- Insertion Force: 3.5kgf Max.
- Extraction Force: 0.8kgf Min.
- Life: 10,000 Cycles



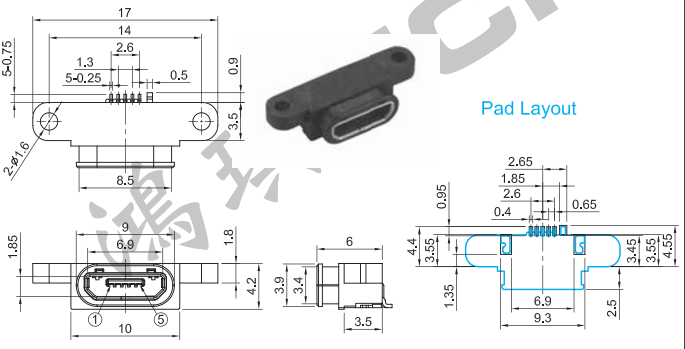
MICRO USB TYPE WATER PROOF MUSB-852CB

- Rating: 0.5A (Pin 2,3,4)
1.8A (Pin 1,5)
- Insertion Force: 0.7~3.5kgf
- Extraction Force: 0.3~3.5kgf
- Life: 10,000 Cycles



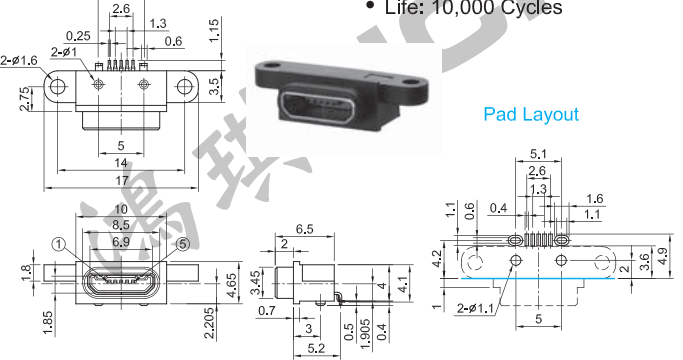
MICRO USB TYPE WATER PROOF MUSB-853CB

- Insertion Force: 2kgf Max.
- Extraction Force: 0.7kgf Min.
- Life: 10,000 Cycles



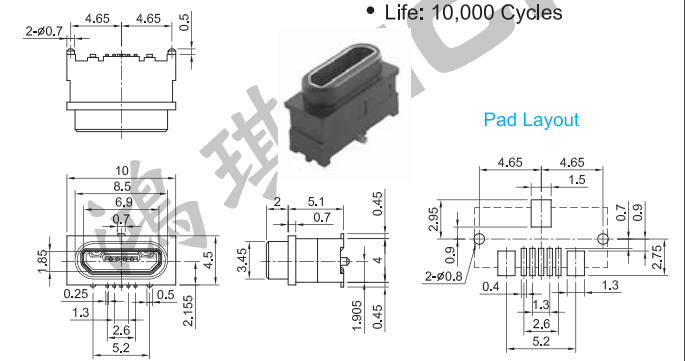
MICRO USB TYPE WATER & DUST PROOF MUSB-854BB

- Rating: AC30V 0.5A (Pin 2,3,4)
AC30V 1.8A (Pin 1,5)
- Insertion Force: 3.5kgf Max.
- Extraction Force: 0.8kgf Min.
- Life: 10,000 Cycles



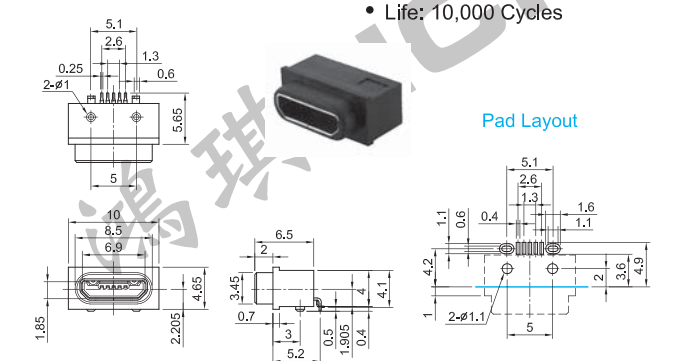
MICRO USB TYPE WATER & DUST PROOF MUSB-855BB

- Rating: AC30V 0.5A (Pin 2,3,4)
AC30V 1.8A (Pin 1,5)
- Insertion Force: 3.5kgf Max.
- Extraction Force: 0.8kgf Min.
- Life: 10,000 Cycles



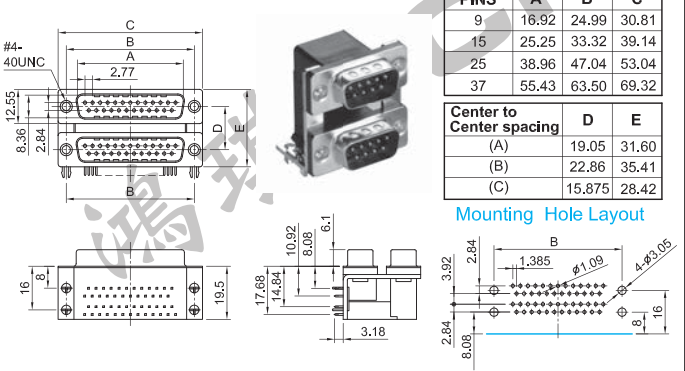
MICRO USB TYPE WATER & DUST PROOF MUSB-870BB

- Rating: AC30V 0.5A (Pin 2,3,4)
AC30V 1.8A (Pin 1,5)
- Insertion Force: 3.5kgf Max.
- Extraction Force: 0.8kgf Min.
- Life: 10,000 Cycles



DUAL PORT RIGHT ANGLE DSB610 9~37 PINS (MALE)

- Rating: AC250V 5A
- Insertion Force: 5.5kgf Max.
- Extraction Force: 1.0kgf Min.



RIGHT ANGLE SURFACE MOUNT DSB811 15 PINS (FEMALE)

- Rating: AC250V 5A
- Insertion Force: 5.5kgf Max.
- Extraction Force: 1.0kgf Min.

