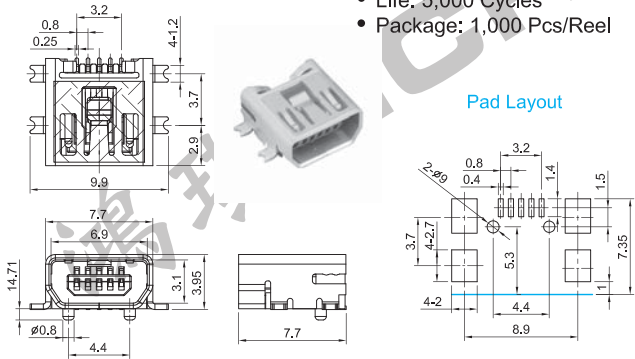


USB CONNECTORS

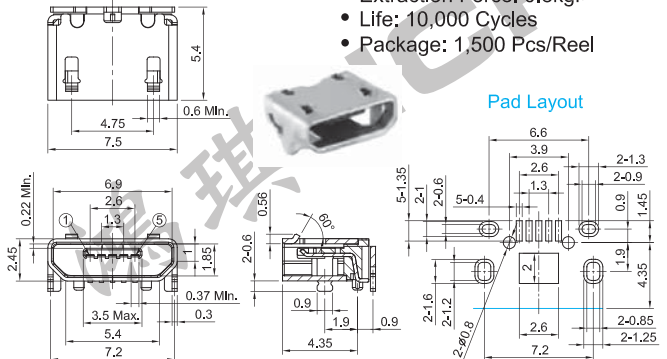
MINI USB TYPE WITH MYLAR MUSB-821

- Rating: DC30V 1A
- Insertion Force: 3.5kgf Max.
- Extraction Force: 0.7kgf Min.
- Life: 5,000 Cycles
- Package: 1,000 Pcs/Reel



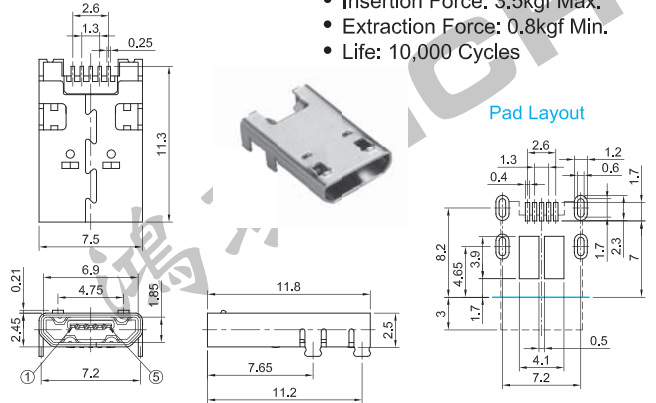
MICRO USB TYPE MUSB-829BB

- Rating: 30V Max. 0.5A (Pin 2,3,4)
30V Max. 1.8A (Pin 1,5)
- Insertion Force: 3.5kgf Max.
- Extraction Force: 0.8kgf
- Life: 10,000 Cycles
- Package: 1,500 Pcs/Reel



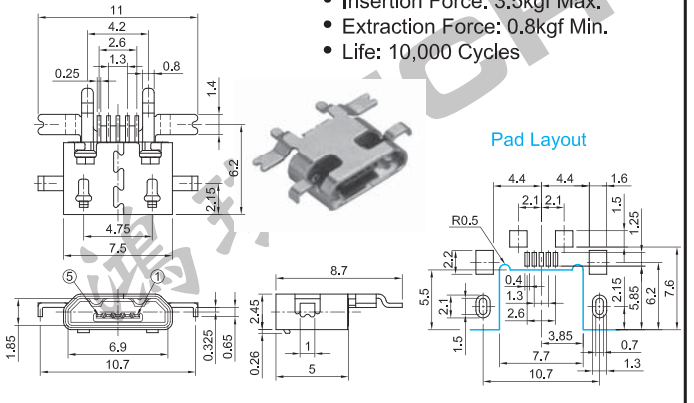
MICRO USB TYPE MUSB-840CB

- Rating: AC30V 0.5A Max. (Pin 2,3,4)
AC30V 1.8A Max. (Pin 1,5)
- Insertion Force: 3.5kgf Max.
- Extraction Force: 0.8kgf Min.
- Life: 10,000 Cycles



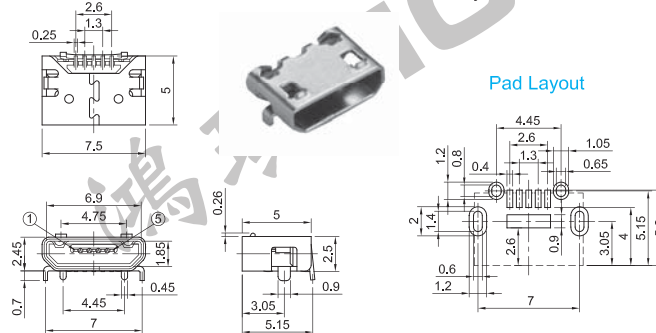
MICRO USB TYPE MUSB-841CB

- Rating: AC30V 0.5A Max. (Pin 2,3,4)
AC30V 1.8A Max. (Pin 1,5)
- Insertion Force: 3.5kgf Max.
- Extraction Force: 0.8kgf Min.
- Life: 10,000 Cycles



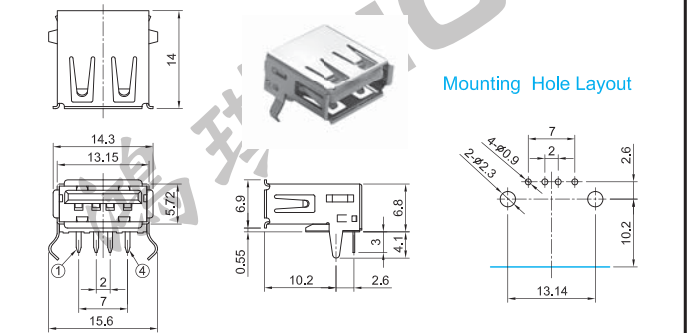
MICRO USB TYPE MUSB-842CB

- Rating: AC30V 0.5A Max. (Pin 2,3,4)
AC30V 1.8A Max. (Pin 1,5)
- Insertion Force: 3.5kgf Max.
- Extraction Force: 0.8kgf Min.
- Life: 10,000 Cycles



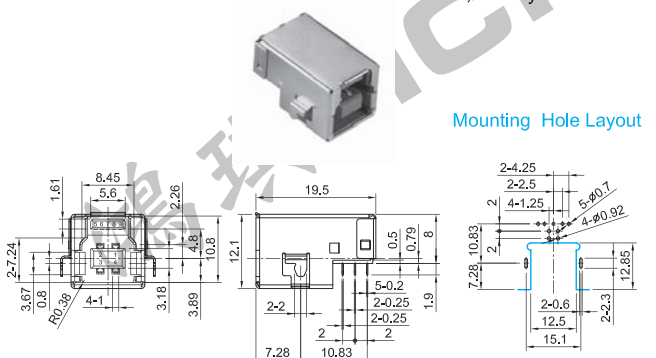
USB TYPE-A MUSB-843CF

- Rating: DC30V 1.5A
- Insertion Force: 3.57kgf Max.
- Extraction Force: 1.02kgf Min.
- Life: 1,500 Cycles



USB 3.0 TYPE-B MUSB-850CB

- Rating: AC5V 1A
- Insertion Force: 3.5kgf Max.
- Extraction Force: 1.0kgf Min.
- Life: 5,000 Cycles



USB 3.0 TYPE-A MUSB-851CB

- Rating: AC5V 1.8A
- Insertion Force: 3.5kgf Max.
- Extraction Force: 1.0kgf Min.
- Life: 5,000 Cycles

