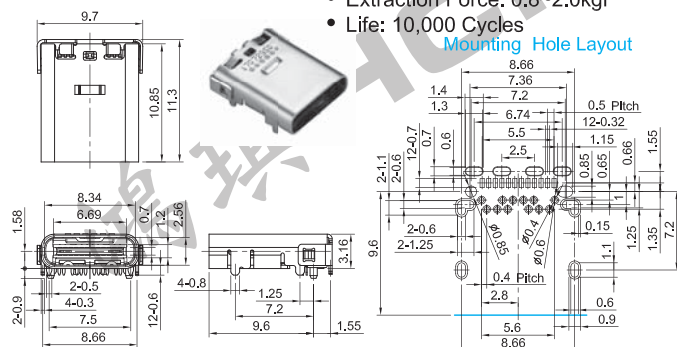


# USB CONNECTORS

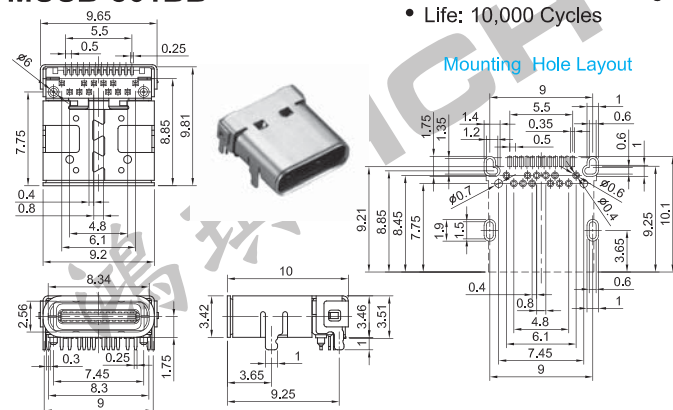
## USB TYPE-C MUSB-860CB

- Rating: Power Pins Collectively: 5A  
Vconn Pin: 1.25A  
Signal Pins: 0.25A
- Insertion Force: 0.5~2.0kgf
- Extraction Force: 0.8~2.0kgf
- Life: 10,000 Cycles



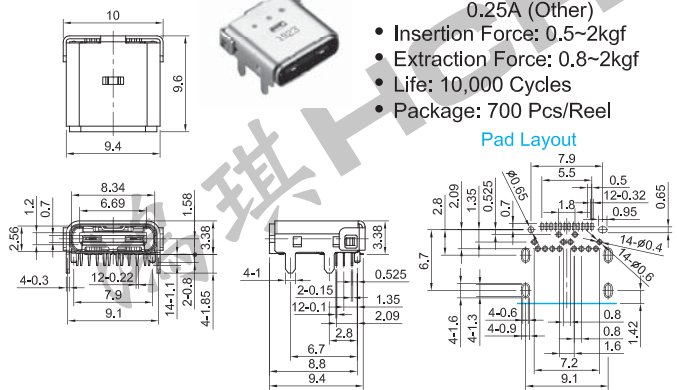
## USB 3.1 TYPE-C MUSB-861BB

- Insertion Force: 0.5~2kgf
- Extraction Force: 0.8~2kgf
- Life: 10,000 Cycles



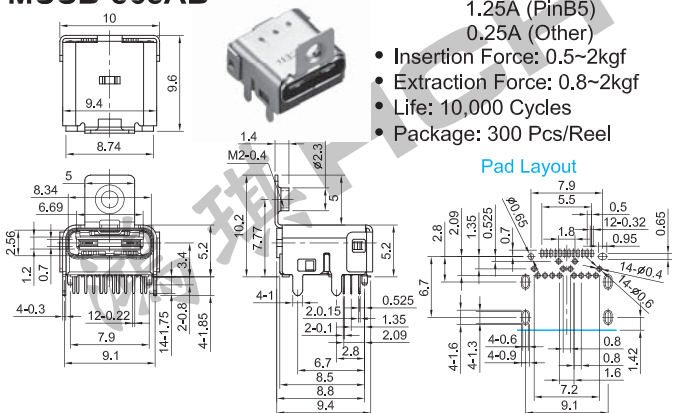
## USB TYPE-C MUSB-862AB

- Rating: 5A (Pin A1,A4,A9,A12,  
B1,B4,B9,B12)  
1.25A (Pin B5)  
0.25A (Other)
- Insertion Force: 0.5~2kgf
- Extraction Force: 0.8~2kgf
- Life: 10,000 Cycles
- Package: 700 Pcs/Reel



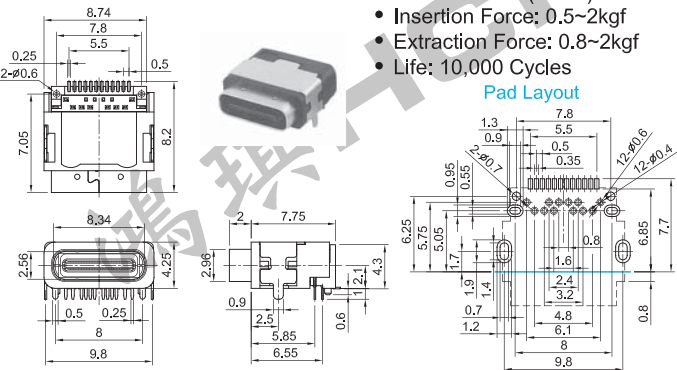
## USB TYPE-C MUSB-863AB

- Rating: 5A (Pin A1,A4,A9,A12,  
B1,B4,B9,B12)  
1.25A (Pin B5)  
0.25A (Other)
- Insertion Force: 0.5~2kgf
- Extraction Force: 0.8~2kgf
- Life: 10,000 Cycles
- Package: 300 Pcs/Reel



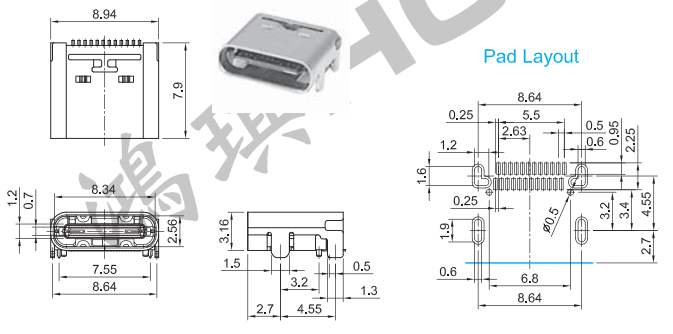
## USB 3.1 TYPE-C WATER & DUST PROOF MUSB-864BB

- Rating: 5A (Pin A4,A9,B4,B9)  
1.25A (Pin B5,A1,A12,  
B1,B12)  
0.25A (Other)
- Insertion Force: 0.5~2kgf
- Extraction Force: 0.8~2kgf
- Life: 10,000 Cycles



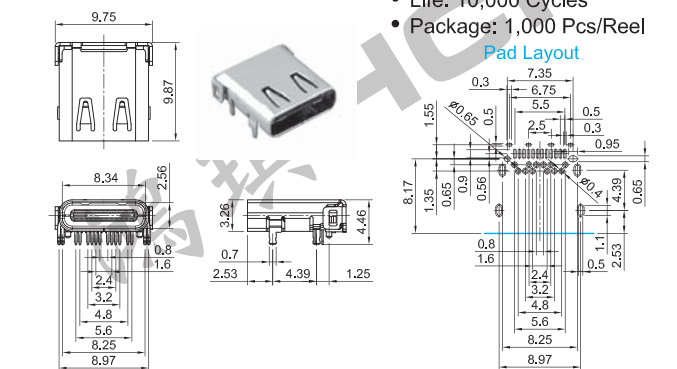
## USB 3.1 TYPE-C MUSB-866BB

- Rating: 3A
- Insertion Force: 0.5~2.0kgf
- Extraction Force: 0.8~2.0kgf
- Life: 10,000 Cycles



## USB 3.1 TYPE-C MUSB-867BB

- Rating: 0.5A
- Insertion Force: 0.5~2.0kgf
- Extraction Force: 0.8~2.0kgf
- Life: 10,000 Cycles
- Package: 1,000 Pcs/Reel



## USB4 CABLE CUB4001

- Rating: 48V 5A
- Insulation Resistance: 100MΩ Min.
- Conductor Resistance: 2Ω Max.
- Voltage Test: DC 300V 0.1s
- Electric Test 100% Open & Short and Mis-Wire Test

