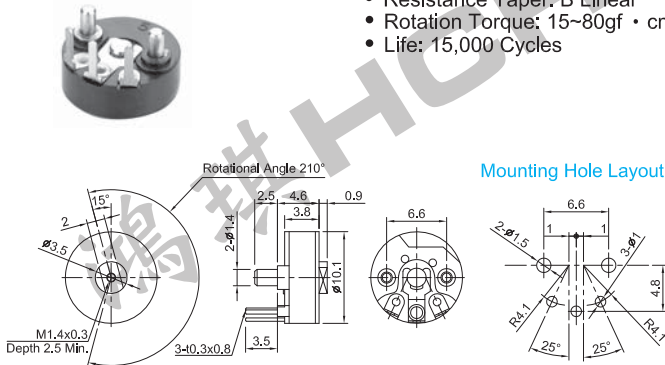


# POTENTIOMETERS

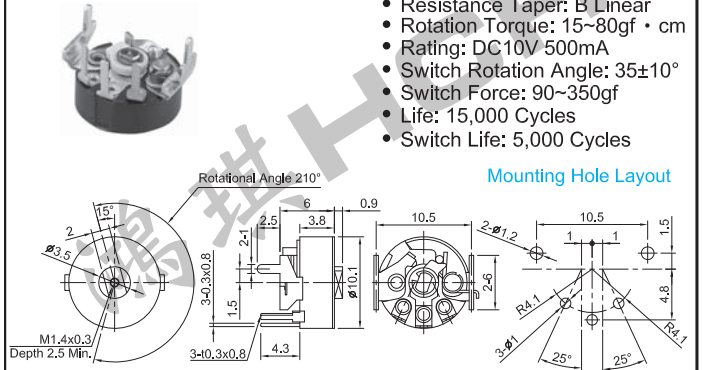
## PIN TYPE 103P-N<sub>3</sub>R (10mm)

- Power Rating: 0.1W
- Total Resistance: 5KΩ±20%
- Total Rotation Angle: 210±10°
- Resistance Taper: B Linear
- Rotation Torque: 15~80gf · cm
- Life: 15,000 Cycles



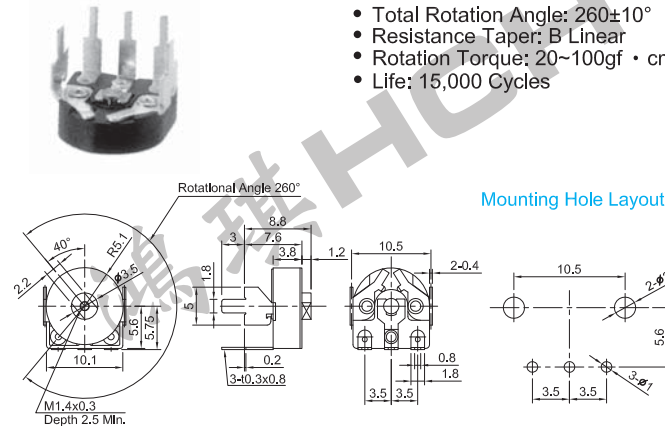
## WITH SWITCH 103P-S<sub>2</sub>R (10mm)

- Power Rating: 0.05W
- Total Resistance: 10KΩ±20%
- Total Rotation Angle: 210±10°
- Resistance Taper: B Linear
- Rotation Torque: 15~80gf · cm
- Rating: DC10V 500mA
- Switch Rotation Angle: 35±10°
- Switch Force: 90~350gf
- Life: 15,000 Cycles
- Switch Life: 5,000 Cycles



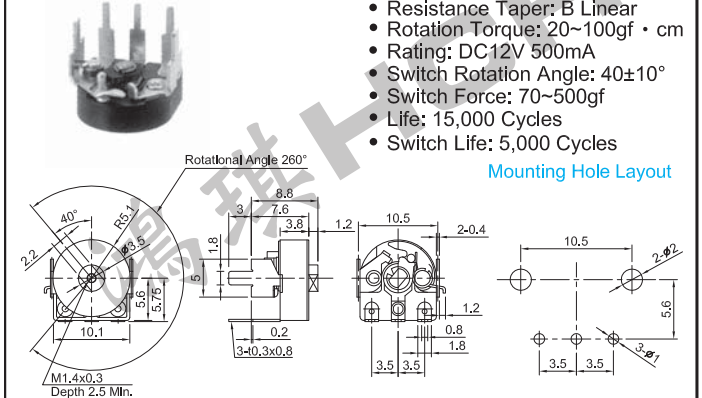
## 106P-N<sub>2</sub>R (10mm)

- Power Rating: 0.07W
- Total Resistance: 10KΩ±20%
- Total Rotation Angle: 260±10°
- Resistance Taper: B Linear
- Rotation Torque: 20~100gf · cm
- Life: 15,000 Cycles



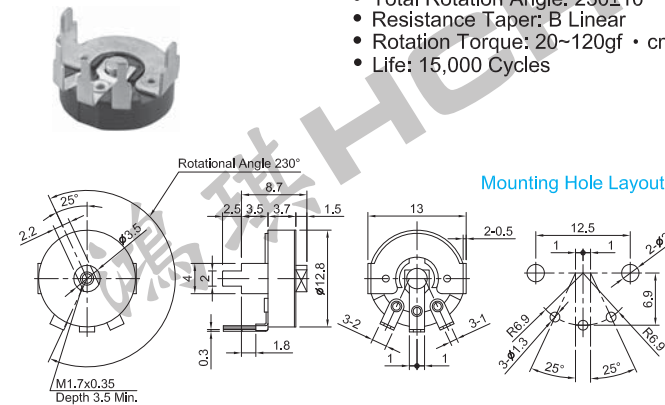
## WITH SWITCH 106P-S<sub>2</sub>R (10mm)

- Power Rating: 0.07W
- Total Resistance: 10KΩ±20%
- Total Rotation Angle: 260±10°
- Resistance Taper: B Linear
- Rotation Torque: 20~100gf · cm
- Rating: DC12V 500mA
- Switch Rotation Angle: 40±10°
- Switch Force: 70~500gf
- Life: 15,000 Cycles
- Switch Life: 5,000 Cycles



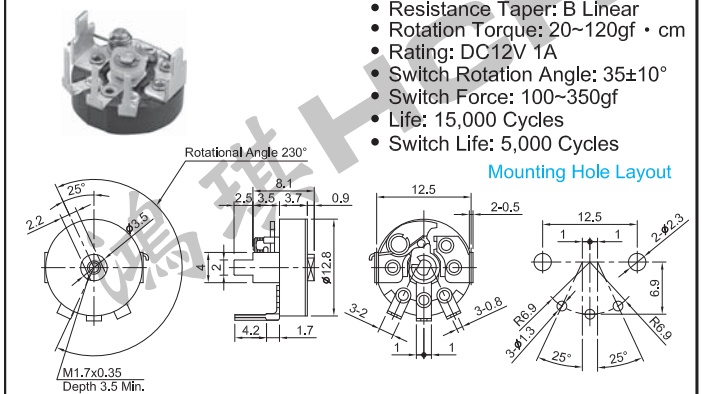
## 121P-N<sub>2</sub>R (12.8mm)

- Power Rating: 0.1W
- Total Resistance: 200KΩ±20%
- Total Rotation Angle: 230±10°
- Resistance Taper: B Linear
- Rotation Torque: 20~120gf · cm
- Life: 15,000 Cycles



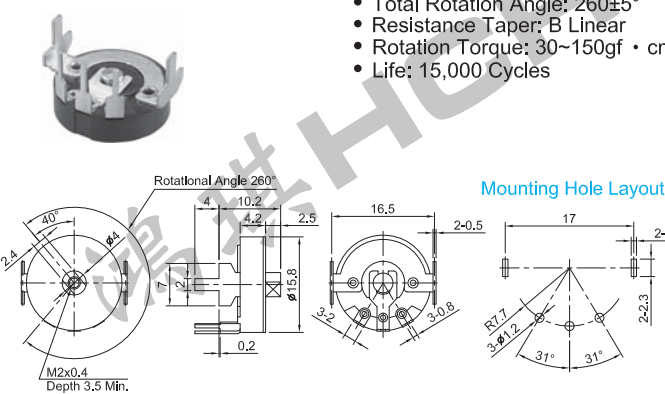
## WITH SWITCH 121P-S<sub>2</sub>R (12.8mm)

- Power Rating: 0.1W
- Total Resistance: 10KΩ±20%
- Total Rotation Angle: 230±10°
- Resistance Taper: B Linear
- Rotation Torque: 20~120gf · cm
- Rating: DC12V 1A
- Switch Rotation Angle: 35±10°
- Switch Force: 100~350gf
- Life: 15,000 Cycles
- Switch Life: 5,000 Cycles



## 161P-N<sub>2</sub>R (15.8mm)

- Power Rating: 0.1W
- Total Resistance: 10KΩ±20%
- Total Rotation Angle: 260±5°
- Resistance Taper: B Linear
- Rotation Torque: 30~150gf · cm
- Life: 15,000 Cycles



## WITH SWITCH 161P-S<sub>2</sub>R (15.8mm)

- Power Rating: 0.1W
- Total Resistance: 10KΩ±20%
- Total Rotation Angle: 260±5°
- Resistance Taper: B Linear
- Rotation Torque: 30~150gf · cm
- Rating: DC12V 1A
- Switch Rotation Angle: 35±10°
- Switch Force: 150~450gf
- Life: 15,000 Cycles
- Switch Life: 5,000 Cycles

