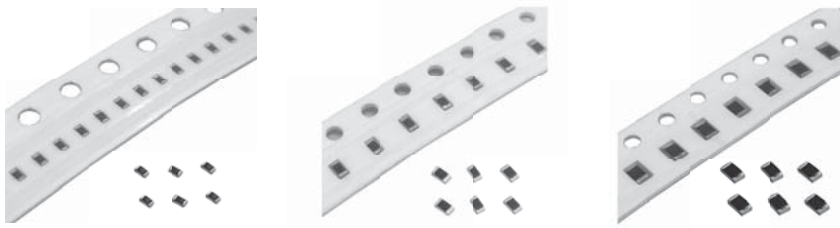
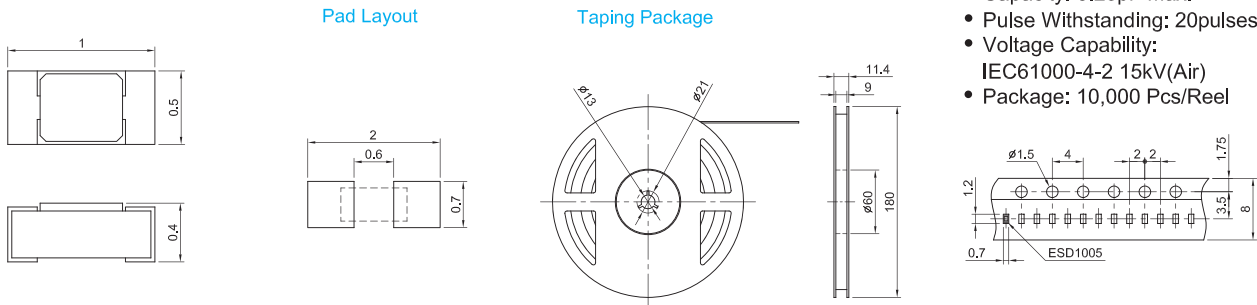


# ESD PROTECTIVE DEVICE



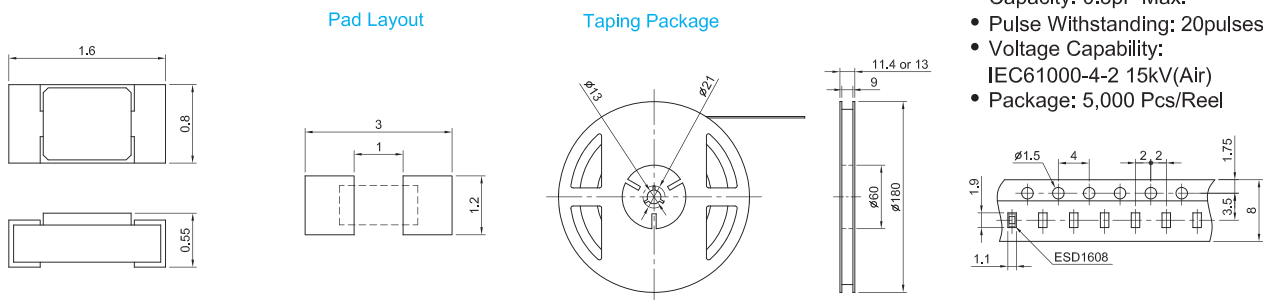
## ESD1005 (0402mils / 1005mm)

- Rated Voltage: AC11V / DC15V
- Trigger Voltage: 350V Max.
- Peak Voltage: 600V Max.
- Peak Current: 20A Min.
- Clump Voltage: 100V Max.
- Capacity: 0.25pF Max.
- Pulse Withstanding: 20pulses Max.
- Voltage Capability:  
IEC61000-4-2 15kV(Air)
- Package: 10,000 Pcs/Reel



## ESD1608 (0603mils / 1608mm)

- Rated Voltage: AC14V / DC20V
- Trigger Voltage: 350V Max.
- Peak Voltage: 700V Max.
- Peak Current: 20A Min.
- Clump Voltage: 100V Max.
- Capacity: 0.3pF Max.
- Pulse Withstanding: 20pulses Max.
- Voltage Capability:  
IEC61000-4-2 15kV(Air)
- Package: 5,000 Pcs/Reel



## ESD2012 (0805mils / 2012mm)

- Rated Voltage: AC17V / DC25V
- Trigger Voltage: 360V Max.
- Peak Voltage: 900V Max.
- Peak Current: 20A Min.
- Clump Voltage: 100V Max.
- Capacity: 0.3pF Max.
- Pulse Withstanding: 200pulses Max.
- Voltage Capability:  
IEC61000-4-2 15kV(Air)
- Package: 5,000 Pcs/Reel

