

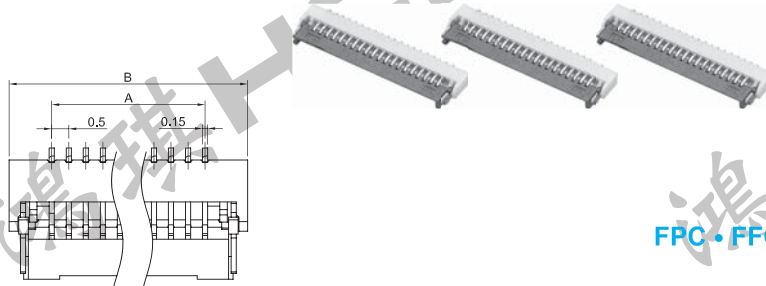
FPC • FFC CONNECTOR

PITCH:0.5mm H:1.0mm

ZIF TYPE

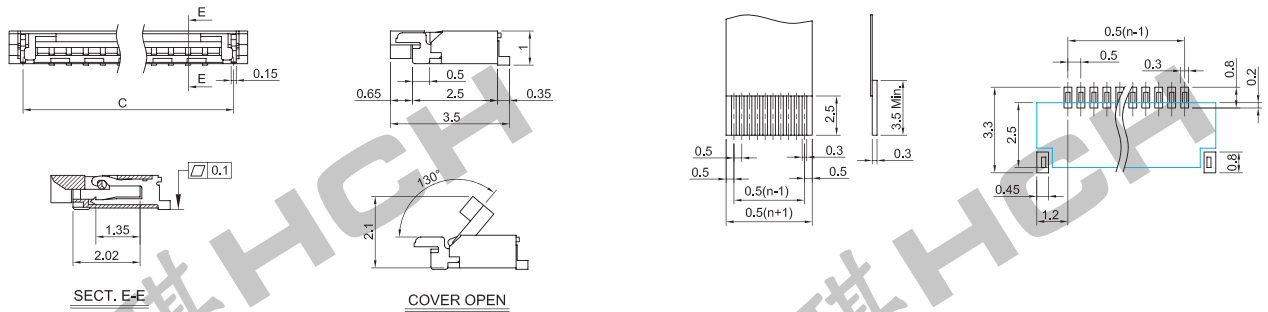
FPC12 SERIES

- Rating: AC/DC50V 500mA
- Dielectric Strength: AC250V for 1 Minute
- Pitch: 0.5mm
- Height: 1.0mm
- No. of Poles: 6~40 Poles
- Applicable FPC/FFC Thickness: 0.3±0.03 mm
- Operating Temperature: -40 ~ +85°C
- Package: 2,500 Pcs/Reel



FPC • FFC Dimensions

Pad Layout



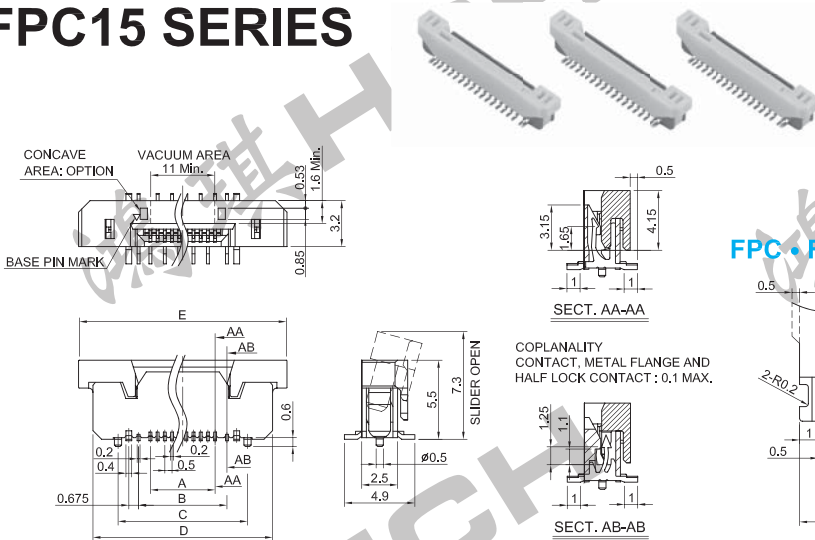
PARTS NO.	PIN	A	B	C	PARTS NO.	PIN	A	B	C	PARTS NO.	PIN	A	B	C	PARTS NO.	PIN	A	B	C	PARTS NO.	PIN	A	B	C
FPC12-06	6	2.5	5.0	4.35	FPC12-13	13	6.0	8.5	7.85	FPC12-20	20	9.5	12.0	11.35	FPC12-27	27	13.0	15.5	14.85	FPC12-34	34	16.5	19.0	18.35
FPC12-07	7	3.0	5.5	4.85	FPC12-14	14	6.5	9.0	8.35	FPC12-21	21	10.0	12.5	11.85	FPC12-28	28	13.5	16.0	15.35	FPC12-35	35	17.0	19.5	18.85
FPC12-08	8	3.5	6.0	5.35	FPC12-15	15	7.0	9.5	8.85	FPC12-22	22	10.5	13.0	12.35	FPC12-29	29	14.0	16.5	15.85	FPC12-36	36	17.5	20.0	19.35
FPC12-09	9	4.0	6.5	5.85	FPC12-16	16	7.5	10.0	9.35	FPC12-23	23	11.0	13.5	12.85	FPC12-30	30	14.5	17.0	16.35	FPC12-37	37	18.0	20.5	19.85
FPC12-10	10	4.5	7.0	6.35	FPC12-17	17	8.0	10.5	9.85	FPC12-24	24	11.5	14.0	13.35	FPC12-31	31	15.0	17.5	16.85	FPC12-38	38	18.5	21.0	20.35
FPC12-11	11	5.0	7.5	6.85	FPC12-18	18	8.5	11.0	10.35	FPC12-25	25	12.0	14.5	13.85	FPC12-32	32	15.5	18.0	17.35	FPC12-39	39	19.0	21.5	20.85
FPC12-12	12	5.5	8.0	7.35	FPC12-19	19	9.0	11.5	10.85	FPC12-26	26	12.5	15.0	14.35	FPC12-33	33	16.0	18.5	17.85	FPC12-40	40	19.5	22.0	21.35

FPC • FFC CONNECTOR

PITCH:0.5mm H:5.5mm

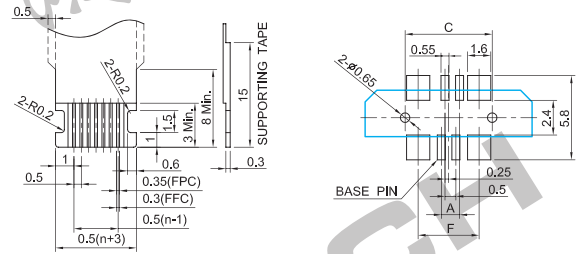
FPC15 SERIES

- Rating: AC/DC50V 500mA
- Contact Resistance: 30mΩ Max.
- Insulation Resistance: 100Ω Min. at DC250V
- Dielectric Strength: AC250V for 1 Minute
- Pitch: 0.5mm
- Height: 5.5mm
- No. of Poles: 4~60 Poles
- Operating Temperature: -40 ~ +105°C
- Package: 1,000 Pcs/Reel



FPC • FFC Dimensions

Pad Layout



PARTS NO.	PIN	A	B	C	D	E	F	PARTS NO.	PIN	A	B	C	D	E	F	PARTS NO.	PIN	A	B	C	D	E	F	PARTS NO.	PIN	A	B	C	D	E	F
FPC15-04	4	1.5	3.15	6.0	9.5	11.5	4.2	FPC15-19	19	9.0	10.65	13.5	17.0	19.0	11.7	FPC15-34	34	16.5	18.15	21.0	24.5	26.5	19.2	FPC15-49	49	24.0	25.65	28.5	32.0	34.0	26.7
FPC15-05	5	2.0	3.65	6.5	10.0	12.0	4.7	FPC15-20	20	9.5	11.15	14.0	17.5	19.5	12.2	FPC15-35	35	17.0	18.65	21.5	25.0	27.0	19.7	FPC15-50	50	24.5	26.15	29.0	32.5	34.5	27.2
FPC15-06	6	2.5	4.15	7.0	10.5	12.5	5.2	FPC15-21	21	10.0	11.65	14.5	18.0	20.0	12.7	FPC15-36	36	17.5	19.15	22.0	25.5	27.5	20.2	FPC15-51	51	25.0	26.65	29.5	33.0	35.0	27.7
FPC15-07	7	3.0	4.65	7.5	11.0	13.0	5.7	FPC15-22	22	10.5	12.15	15.0	18.5	20.5	13.2	FPC15-37	37	18.0	19.65	22.5	26.0	28.0	20.7	FPC15-52	52	25.5	27.15	30.0	33.5	35.5	28.2
FPC15-08	8	3.5	5.15	8.0	11.5	13.5	6.2	FPC15-23	23	11.0	12.65	15.5	19.0	21.0	13.7	FPC15-38	38	18.5	20.15	23.0	26.5	28.5	21.2	FPC15-53	53	26.0	27.65	30.5	34.0	36.0	28.7
FPC15-09	9	4.0	5.65	8.5	12.0	14.0	6.7	FPC15-24	24	11.5	13.15	16.0	19.5	21.5	14.2	FPC15-39	39	19.0	20.65	23.5	27.0	29.0	21.7	FPC15-54	54	26.5	28.15	31.0	34.5	36.5	29.2
FPC15-10	10	4.5	6.15	9.0	12.5	14.5	7.2	FPC15-25	25	12.0	13.65	16.5	20.0	22.0	14.7	FPC15-40	40	19.5	21.15	24.0	27.5	29.5	22.2	FPC15-55	55	27.0	28.65	31.5	35.0	37.0	29.7
FPC15-11	11	5.0	6.65	9.5	13.0	15.0	7.7	FPC15-26	26	12.5	14.15	17.0	20.5	22.5	15.2	FPC15-41	41	20.0	21.65	24.5	28.0	30.0	22.7	FPC15-56	56	27.5	29.15	32.0	35.5	37.5	30.2
FPC15-12	12	5.5	7.15	10.0	13.5	15.5	8.2	FPC15-27	27	13.0	14.65	17.5	21.0	23.0	15.7	FPC15-42	42	20.5	22.15	25.0	28.5	30.5	23.2	FPC15-57	57	28.0	29.65	32.5	36.0	38.0	30.7
FPC15-13	13	6.0	7.65	10.5	14.0	16.0	8.7	FPC15-28	28	13.5	15.15	18.0	21.5	23.5	16.2	FPC15-43	43	21.0	22.65	25.5	29.0	31.0	23.7	FPC15-58	58	28.5	30.15	33.0	36.5	38.5	31.2
FPC15-14	14	6.5	8.15	11.0	14.5	16.5	9.2	FPC15-29	29	14.0	15.65	18.5	22.0	24.0	16.7	FPC15-44	44	21.5	23.15	26.0	29.5	31.5	24.2	FPC15-59	59	29.0	30.65	33.5	37.0	39.0	31.7
FPC15-15	15	7.0	8.65	11.5	15.0	17.0	9.7	FPC15-30	30	14.5	16.15	19.0	22.5	24.5	17.2	FPC15-45	45	22.0	23.65	26.5	30.0	32.0	24.7	FPC15-60	60	29.5	31.15	34.0	37.5	39.5	32.2
FPC15-16	16	7.5	9.15	12.0	15.5	17.5	10.2	FPC15-31	31	15.0	16.65	19.5	23.0	25.0	17.7	FPC15-46	46	22.5	24.15	27.0	30.5	32.5	25.2								
FPC15-17	17	8.0	9.65	12.5	16.0	18.0	10.7	FPC15-32	32	15.5	17.15	20.0	23.5	25.5	18.2	FPC15-47	47	23.0	24.65	27.5	31.0	33.0	25.7								
FPC15-18	18	8.5	10.15	13.0	16.5	18.5	11.2	FPC15-33	33	16.0	17.65	20.5	24.0	26.0	18.7	FPC15-48	48	23.5	25.15	28.0	31.5	33.5	26.2								