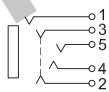


# EARPHONE JACKS

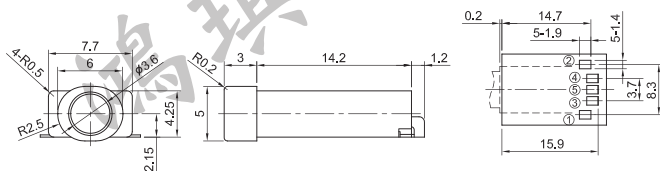
## WATER PROOF PJK-605 $\phi 3.6$ (4 POLES)

- Rating: DC12V 1A
- Force: 0.5~3.0kgf
- Life: 5,000 Cycles

Circuit



Pad Layout



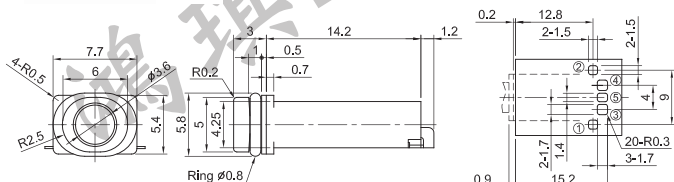
## WATER PROOF PJK-606 $\phi 3.6$ (4 POLES)

- Rating: DC12V 1A
- Force: 0.5~3.0kgf
- Life: 5,000 Cycles

Circuit



Pad Layout



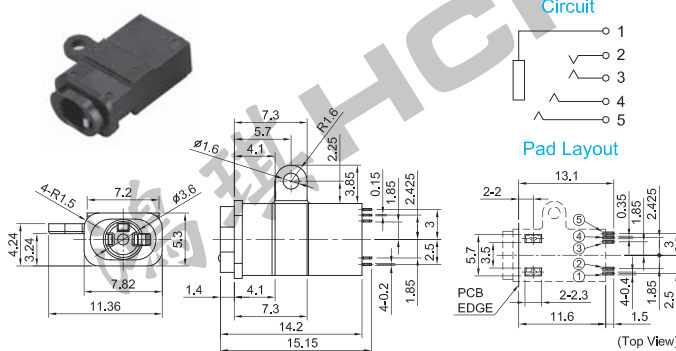
## WATER PROOF PJK-626 $\phi 3.6$ (4 POLES)

- Rating: DC12V 1A
- Force: 0.4~3.0kgf
- Life: 10,000 Cycles

Circuit



Pad Layout

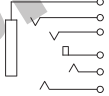


TAPING PACKAGE: 700 PCS/REEL

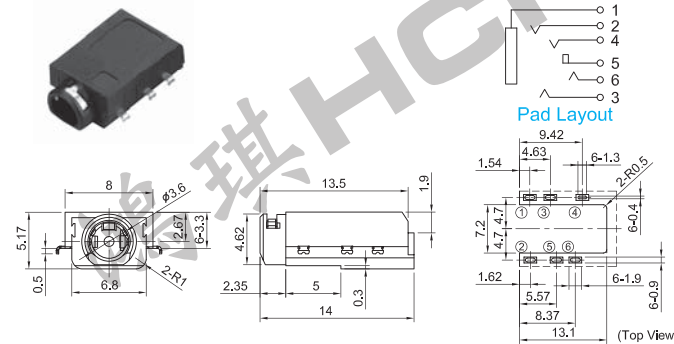
## WATER PROOF(IPX4) & SINKING TYPE PJK-627 $\phi 3.6$ (4 POLES WITH 1 SWITCH)

- Rating: DC12V 1A
- Force: 0.3~2.0kgf
- Life: 5,000 Cycles

Circuit



Pad Layout



TAPING PACKAGE: 600 PCS/REEL

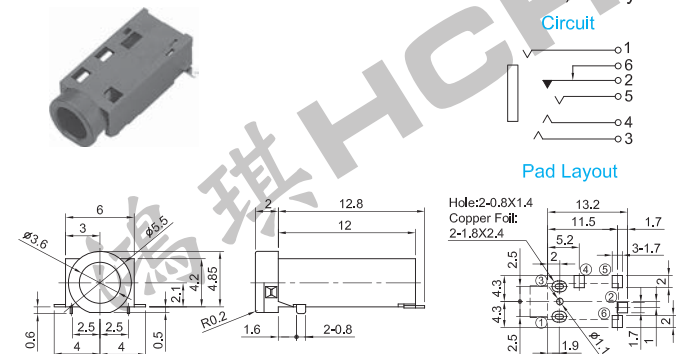
## PJK-642 $\phi 3.6$ (4 POLES WITH 1 SWITCH)

- Rating: DC12V 1A
- Force: 0.8~4.5kgf
- Life: 5,000 Cycles

Circuit



Pad Layout

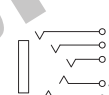


TAPING PACKAGE: 1,000 PCS/REEL

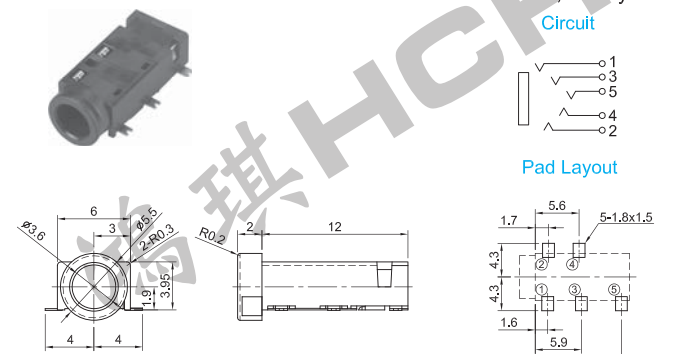
## PJK-648 $\phi 3.6$ (5 POLES)

- Rating: DC12V 1A
- Force: 0.5~3.0kgf
- Life: 5,000 Cycles

Circuit



Pad Layout



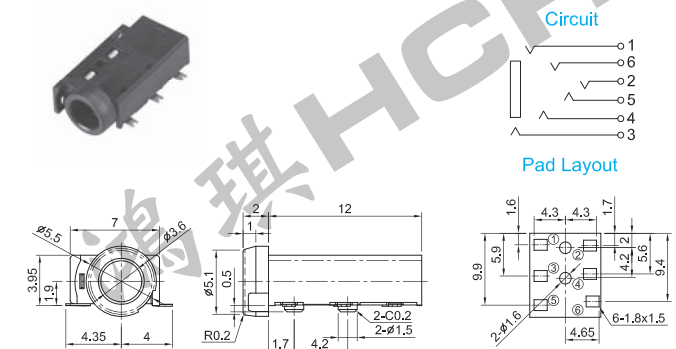
## PJK-649 $\phi 3.6$ (5 POLES)

- Rating: DC12V 1A
- Force: 0.3~3.0kgf
- Life: 5,000 Cycles

Circuit



Pad Layout

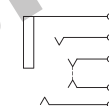


TAPING PACKAGE: 700 PCS/REEL

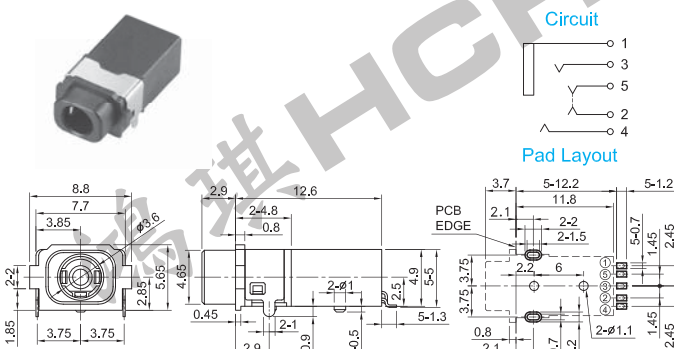
## WATER PROOF PJK-658 $\phi 3.6$ (4 POLES)

- Rating: DC12V 1A
- Force: 0.3~3.0kgf
- Life: 5,000 Cycles

Circuit



Pad Layout



TAPING PACKAGE: 800 PCS/REEL