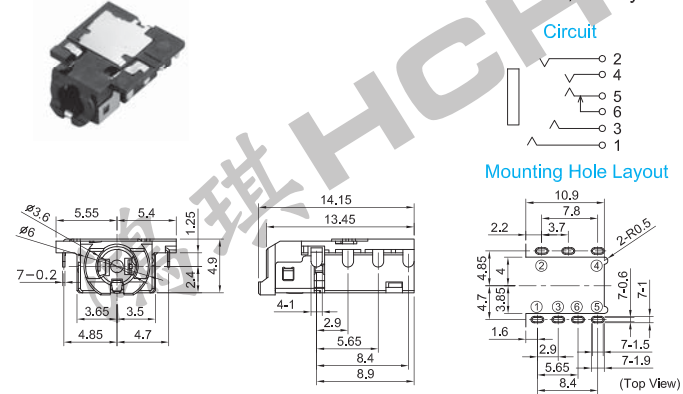
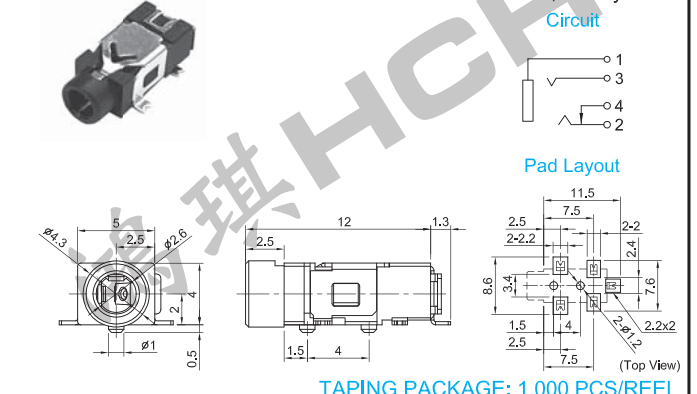


EARPHONE JACKS

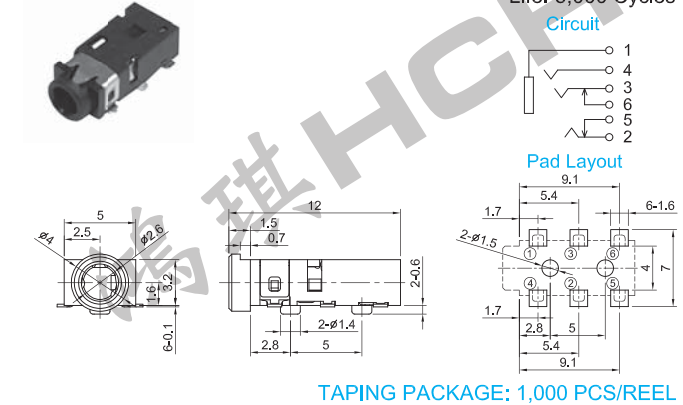
PJK-466 $\varnothing 3.6$ (4 POLES WITH 1 SWITCH) • Rating: DC12V 1A
 • Force: 0.4~3.0kgf
 • Life: 5,000 Cycles



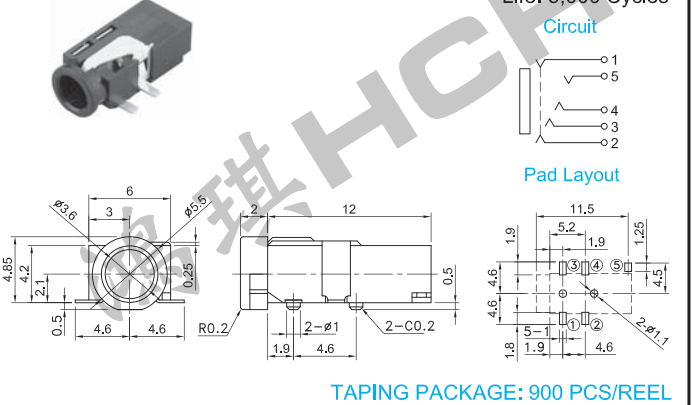
PJK-526B $\varnothing 2.6$ (3 POLES WITH 1 SWITCH) • Rating: DC16V 0.3A
 • Force: 0.3~3.0kgf
 • Life: 5,000 Cycles



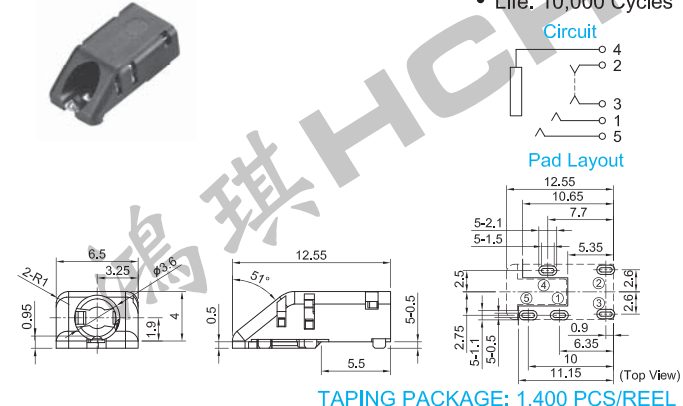
PJK-535A $\varnothing 2.6$ (4 POLES WITH 2 SWITCH) • Rating: DC12V 1A
 • Force: 0.3~3.0kgf
 • Life: 5,000 Cycles



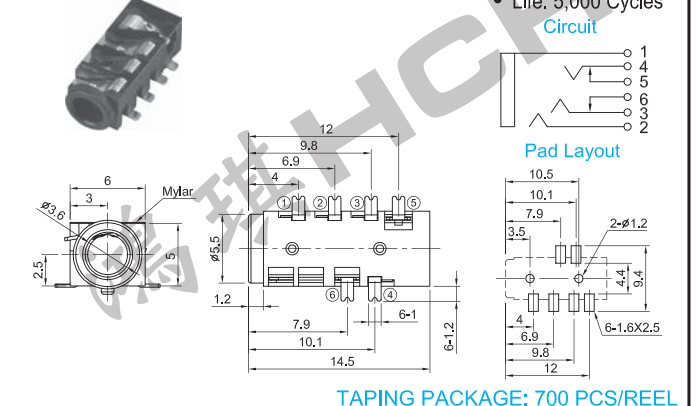
PJK-614 $\varnothing 3.6$ (4 POLES) • Rating: DC12V 1A
 • Force: 0.5~3.0kgf
 • Life: 5,000 Cycles



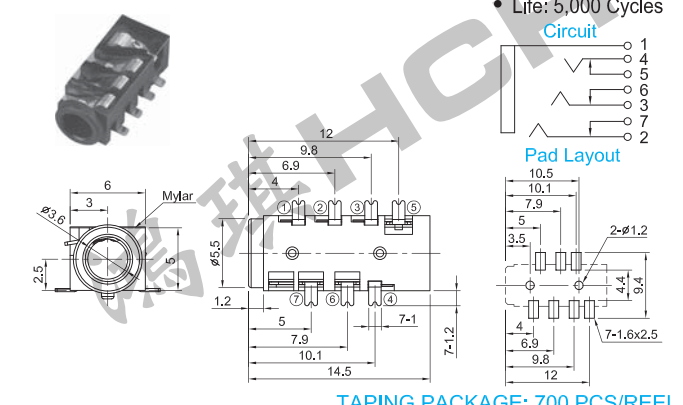
PJK-628 $\varnothing 3.6$ (4 POLES) • Rating: DC12V 5A
 • Force: 0.4~3.0kgf
 • Life: 10,000 Cycles



PJK-633MB $\varnothing 3.6$ (4 POLES WITH 2 SWITCH) • Rating: DC30V 0.5A
 • Force: 0.3~3.0kgf
 • Life: 5,000 Cycles



PJK-634MB $\varnothing 3.6$ (4 POLES WITH 3 SWITCH) • Rating: DC30V 0.5A
 • Force: 0.3~3.0kgf
 • Life: 5,000 Cycles



PJK-686B $\varnothing 3.6$ (4 POLES WITH 2 SWITCH) • Rating: DC30V 0.5A
 • Force: 0.3~3.0kgf
 • Life: 5,000 Cycles

