
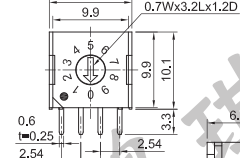
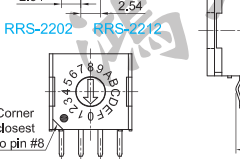


# DIP SWITCHES (HALOGEN FREE)

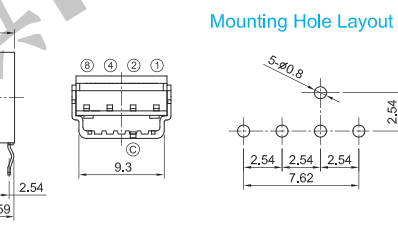
### RRS-22

- Rating: DC50V 100mA
- Force: 200gf · cm Max.
- Life: 20,000 Cycles

Part No.	Code	Position
RRS-2201	Real Code	10
RRS-2202	Real Code	16
RRS-2211	Complementary Code	10
RRS-2212	Complementary Code	16

**Mounting Hole Layout**


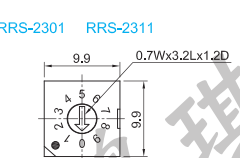
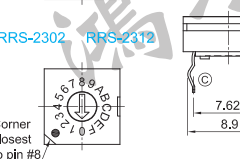


Corner closest to pin #8

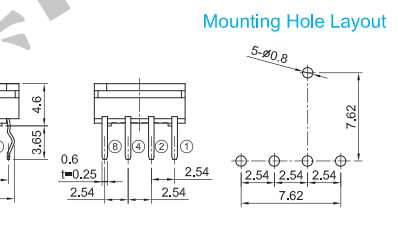
### RRS-23

- Rating: DC50V 100mA
- Force: 200gf · cm Max.
- Life: 20,000 Cycles

Part No.	Code	Position
RRS-2301	Real Code	10
RRS-2302	Real Code	16
RRS-2311	Complementary Code	10
RRS-2312	Complementary Code	16

**Mounting Hole Layout**


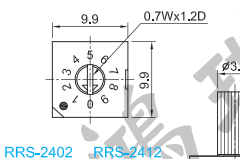
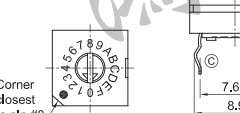


Corner closest to pin #8

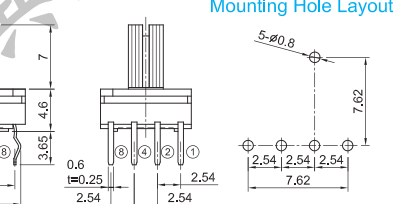
### RRS-24

- Rating: DC50V 100mA
- Force: 200gf · cm Max.
- Life: 20,000 Cycles

Part No.	Code	Position
RRS-2401	Real Code	10
RRS-2402	Real Code	16
RRS-2411	Complementary Code	10
RRS-2412	Complementary Code	16

**Mounting Hole Layout**


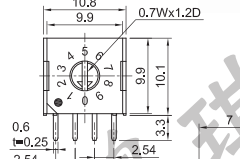
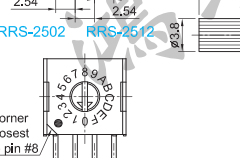


Corner closest to pin #8

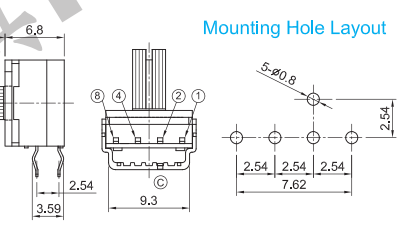
### RRS-25

- Rating: DC50V 100mA
- Force: 200gf · cm Max.
- Life: 20,000 Cycles

Part No.	Code	Position
RRS-2501	Real Code	10
RRS-2502	Real Code	16
RRS-2511	Complementary Code	10
RRS-2512	Complementary Code	16

**Mounting Hole Layout**


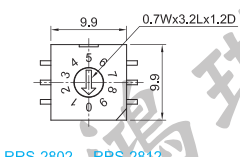
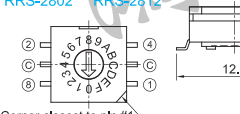


Corner closest to pin #8

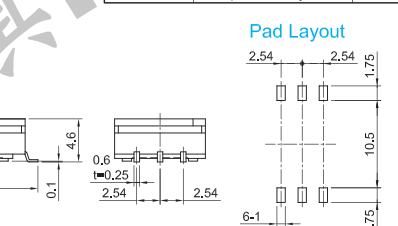
### REFLOW TYPE RRS-28

- Rating: DC50V 100mA
- Force: 200gf · cm Max.
- Life: 20,000 Cycles
- Package: 600 Pcs/Reel

Part No.	Code	Position
RRS-2801	Real Code	10
RRS-2802	Real Code	16
RRS-2811	Complementary Code	10
RRS-2812	Complementary Code	16

**Pad Layout**


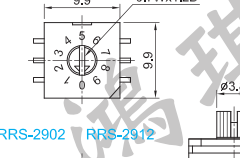
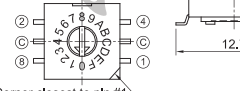


Corner closest to pin #1

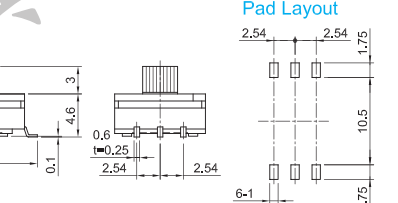
### REFLOW TYPE RRS-29

- Rating: DC50V 100mA
- Force: 200gf · cm Max.
- Life: 20,000 Cycles
- Package: 350 Pcs/Reel

Part No.	Code	Position
RRS-2901	Real Code	10
RRS-2902	Real Code	16
RRS-2911	Complementary Code	10
RRS-2912	Complementary Code	16

**Pad Layout**


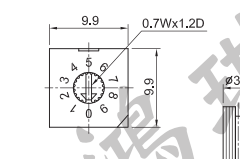



Corner closest to pin #1

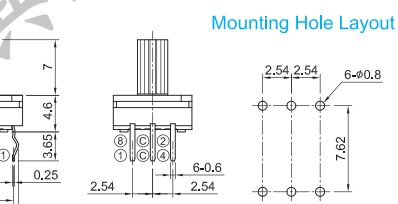
### 3+3 PIN RRS-30

- Rating: DC50V 100mA
- Force: 200gf · cm Max.
- Life: 20,000 Cycles

Part No.	Code	Position
RRS-3001	Real Code	10
RRS-3002	Real Code	16
RRS-3011	Complementary Code	10
RRS-3012	Complementary Code	16


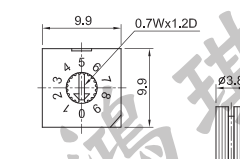

**Mounting Hole Layout**



### 2+3 PIN RRS-31

- Rating: DC50V 100mA
- Force: 200gf · cm Max.
- Life: 20,000 Cycles

Part No.	Code	Position
RRS-3101	Real Code	10
RRS-3102	Real Code	16
RRS-3111	Complementary Code	10
RRS-3112	Complementary Code	16

**Mounting Hole Layout**

